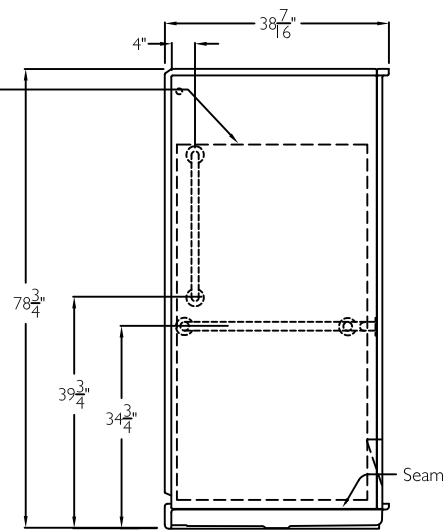
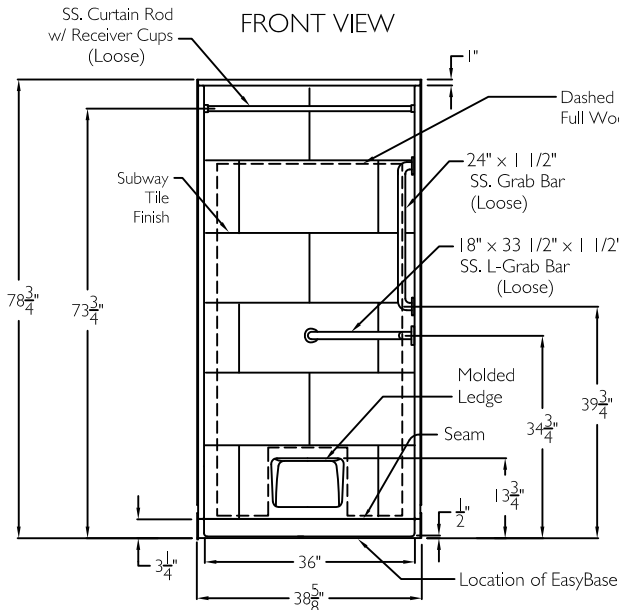


SUBMITTAL DATA

SIDE VIEW



4Piece Sectional BF Shower

The sectional shower shall be model LM 3838 BF 4 Piece center drain. Finished surface shall be of a sanitary grade applied acrylic.

Unit has outside dimensions of : 38 5/8" x 38 7/16" x 78 3/4".

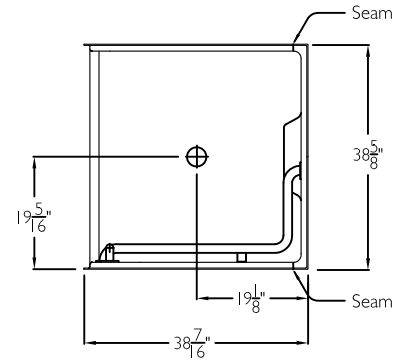
The four piece shower shall meet: CSA B45.5, IAPMOZ124, HUD, FHA, and Home Innovation Research Lab.

The enclosure shall be equipped with the following installed accessories:

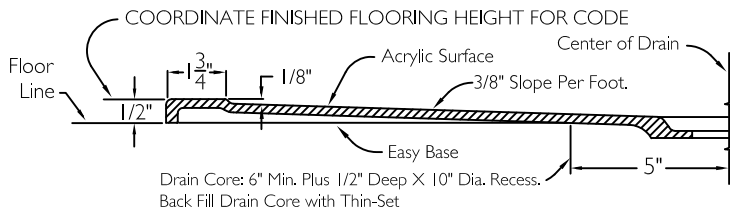
- 1) Subway tile finish,
- 2) Low molded shelf on back wall,
- 3) Four piece sectional design,
- 4) Center drain,
- 5) Full wood backing on walls,
- 6) Factory installed EasyBase self sustaining bottom,
- 7) Brass drain fitting,
- 8) Collapsible water retainer with end caps,
- 9) Low entry 1/2" threshold,
- 10) One L-grab bar, and one 24" stainless steel grab bars,
- 11) Stainless steel curtain rod with receiver cups,
- 12) Premium weighted shower curtain.

NOTE: UNIT SHIPPED UN-ASSEMBLED. (FIELD ASSEMBLY BY OTHERS).

TOP VIEW



DUE TO THE NATURE OF THE MATERIALS DIMENSIONS MAY VARY +/- 1/2 INCH.



LAUREL MOUNTAIN

Drawing #: LM 3838 BF 4P .50 SB VB CR FWB Easy Base

Date: 11-1-0-15

Revised: 12-15-16

Ardmore II

LAUREL MOUNTAIN

26 Nesbitt Road Suite 257 New Castle, Pa. 16105

Phone: 1 800 930 0050 Fax: 1 800 930 0051 Email: sales@lmbath.com