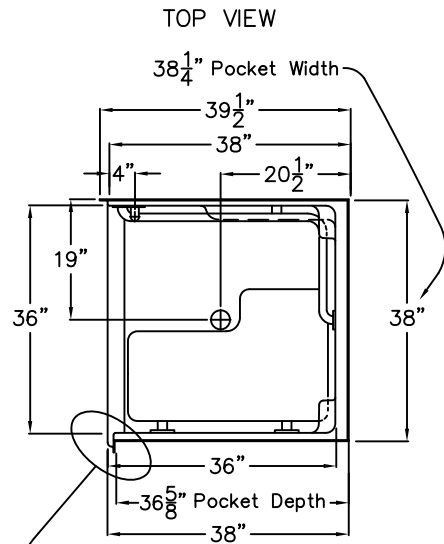
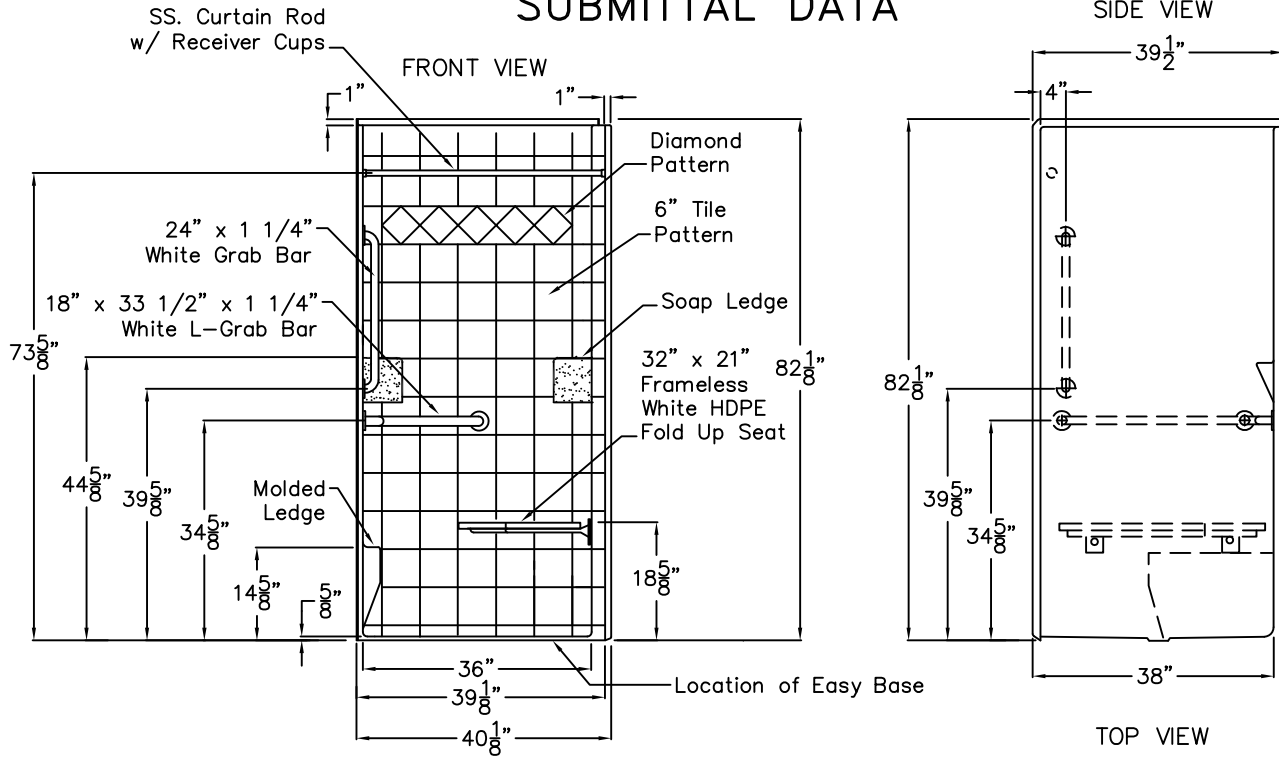


SUBMITTAL DATA



Transfer Shower Stall

The shower enclosure shall be Laurel Mountain Model LM 3938 BF ADA .625 left. Finished surface shall be of a sanitary grade applied acrylic.

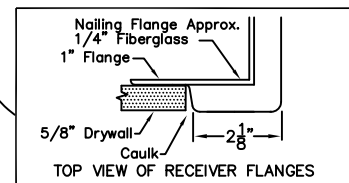
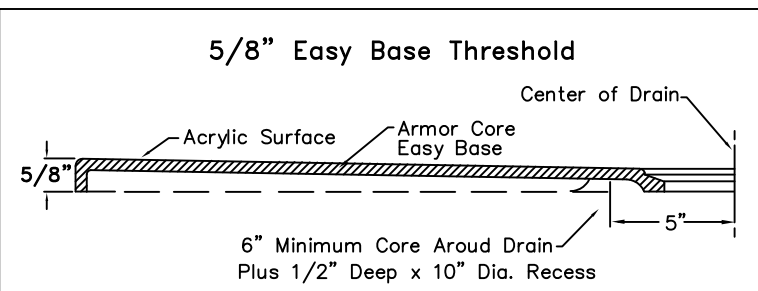
The unit shall have outside dimensions of 40" x 39 1/2" x 82 1/8". to the sump of the unit in such a manner to form and integral part with an inner and outer. The unit shall meet ANSI 117.1, ADA, ANSI Z1241.1-2, and Home Innovation Research Lab.

Framing Coordination: Framing pocket 38" x 39 1/2". Add 1/4" to width for required installation wiggle room. Refer to Page 2 or installation instructions for further details.

The enclosure shall be equipped with the following installed accessories:

- 1) One 18" x 33 1/2" x 1 1/4" diameter white horizontal L-grab bar,
- 2) One 24" x 1 1/4" diameter white vertical grab bar on the valve wall, both grab bars shall have 1 1/2" safety statute clearance, mounted with stainless steel bolts, and secured from the rear with 3" x 3" x 11 gauge metal mounting plates,
- 3) 32" x 21" frameless white HDPE fold up seat,
- 4) Molded soap ledges,
- 5) Drywall receiver flange on seat side,
- 6) Lower molded soap ledge on valve wall.
- 7) Tile finish,
- 8) One inch diameter stainless steel curtain rod with receiver cups,
- 9) Diamond accents,
- 10) Factory installed Armor Core Easy Base,
- 11) Tri-Cell backing,
- 12) 5/8" Threshold.

NOTE: THIS UNIT WILL NOT ACCEPT A SHOWER DOOR.



Drywall Receiver Flange (Seat Side 11/16" Deep)

DUE TO THE NATURE OF THE MATERIALS DIMENSIONS MAY VARY ± 1/2"

LAUREL MOUNTAIN

Drawing#: LM 3938 BF .625 WLB WV B FHDP CR Easy Base

Date: 9-14-99

Revised: 5-22-17

LAUREL MOUNTAIN

26 Nesbitt Road, Suite 257, New Castle Pa. 16105
1 (800) 930 0050 - FAX 1-(800) 930 0051, EMAIL: sales@lmbath.com