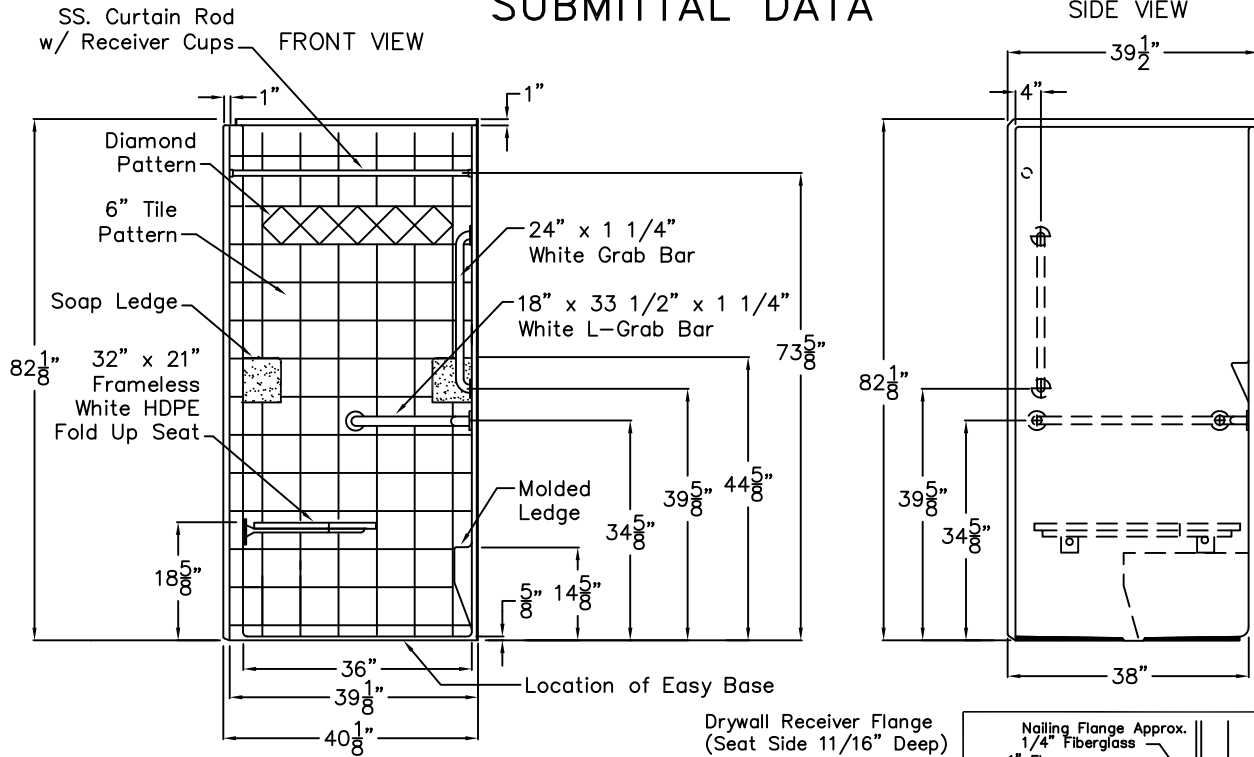


SUBMITTAL DATA



Transfer Shower Stall

The shower enclosure shall be Laurel Mountain Model LM 3938 BF ADA .625 left or right. Finished surface shall be of a sanitary grade applied acrylic.

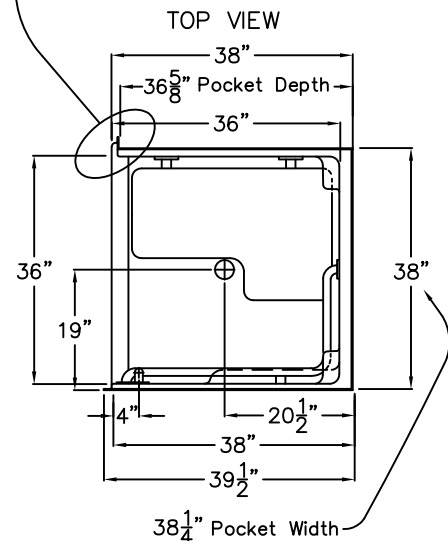
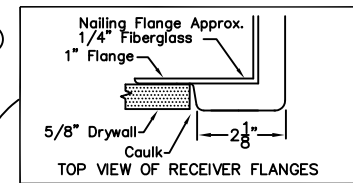
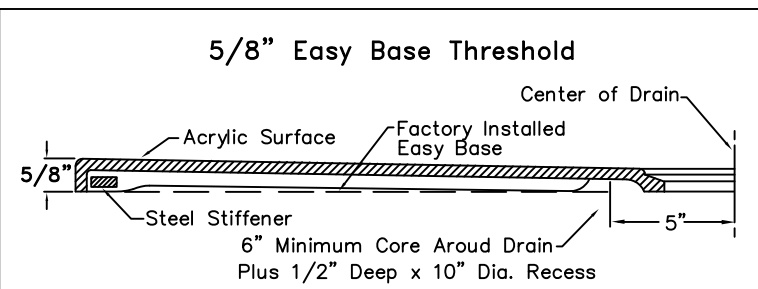
The unit shall have outside dimensions of 40" x 39 1/2" x 82 1/8". to the sump of the unit in such a manner to form and integral part with an inner and outer. The unit shall meet ANSI 117.1, ADA, ANSI Z1241.1-2, and Home Innovation Research Lab.

Framing Coordination: Framing pocket 38" x 39 1/2". Add 1/4" to width for required installation wiggle room. Refer to Page 2 or installation instructions for further details.

The enclosure shall be equipped with the following installed accessories:

- 1) One 18" x 33 1/2" x 1 1/4" diameter white horizontal L-grab bar,
- 2) One 24" x 1 1/4" diameter white grab bar vertical on the valve wall, both grab bars shall have 1 1/2" safety statute clearance, mounted with stainless steel bolts and secured from the rear with a 3" x 3" x 11 gauge metal mounting plate,
- 3) Frameless 32" x 21" white HDPE fold up seat,
- 4) Molded soap ledges,
- 5) Drywall receiver flange on seat side,
- 6) Lower molded soap ledge on valve wall.
- 7) Tile finish,
- 8) One inch diameter stainless steel curtain rod with receiver cups,
- 9) Diamond accents,
- 10) Factory installed Easy Base self sustaining bottom,
- 11) Tri-Cell backing,
- 12) 5/8" Threshold.

NOTE: THIS UNIT WILL NOT ACCEPT A SHOWER DOOR.



NOTE: THIS UNIT REQUIRES NO CAULK BRASS DRAIN DO NOT ROUGH-IN ON THE VALVE SIDE UNTIL UNIT IS RECEIVED AND IN PLACE.

DUE TO THE NATURE OF THE MATERIALS DIMENSIONS MAY VARY ± 1/2"

LAUREL MOUNTAIN

Drawing#: LM 3938 BF .625 WLB WV B FHDP CR Easy Base

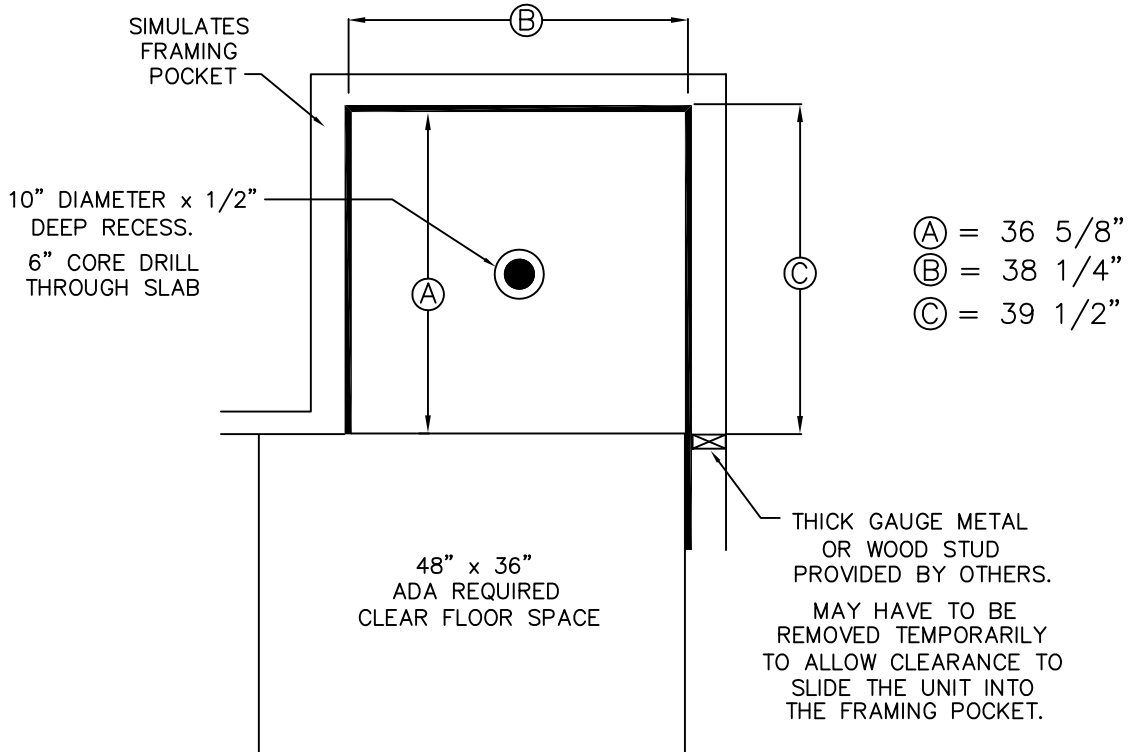
Date: 9-14-99

Revised: 12-16-16

LAUREL MOUNTAIN

26 Nesbitt Road, Suite 257, New Castle Pa. 16105
1 (800) 930 0050 - FAX 1-(800) 930 0051, EMAIL: sales@lmbath.com

SUBMITTAL DATA



1/4" WAS ADDED TO "B" ROUGH IN DIMENSION TO PROVIDE WIGGLE ROOM.

This section refers to units with a 1/2" threshold.
 "No Recess Necessary" units are designed to be installed directly on the sub-floor surface. A 10" diameter x 1/2" deep recess around the 6 inch drain core is required to accept the factory drain slope of the unit. A non-shrinking bedding slurry is required for standard installation.

For units configured with the factory installed EASY BASE self sustaining bottom may only need to be shimmed. The floor of the shower is adhered to the floor with adhesive (provided by others).

Refer to installation instructions for further details.

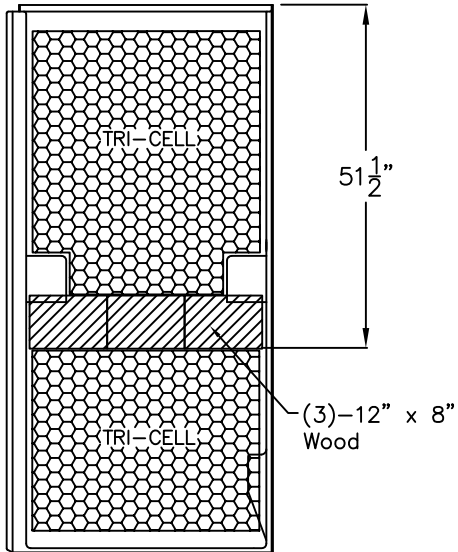
DUE TO THE NATURE OF THE MATERIALS DIMENSIONS MAY VARY ± 1/2"

	LAUREL MOUNTAIN
	Drawing#: LM 3938 BF .625 WLB WVB FHDP CR Easy Base
	Date: 9-14-99 Revised: 12-16-16

Board Placement

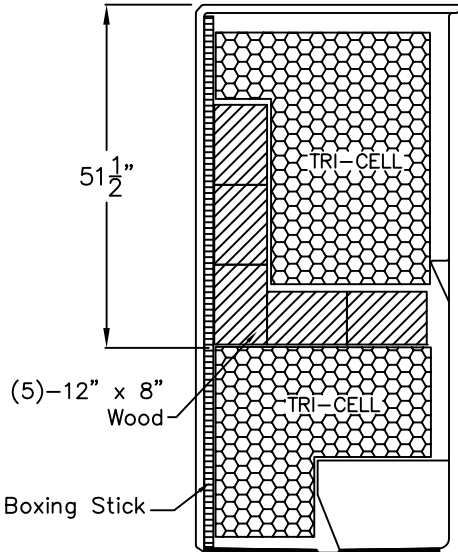
SUBMITTAL DATA

FRONT VIEW

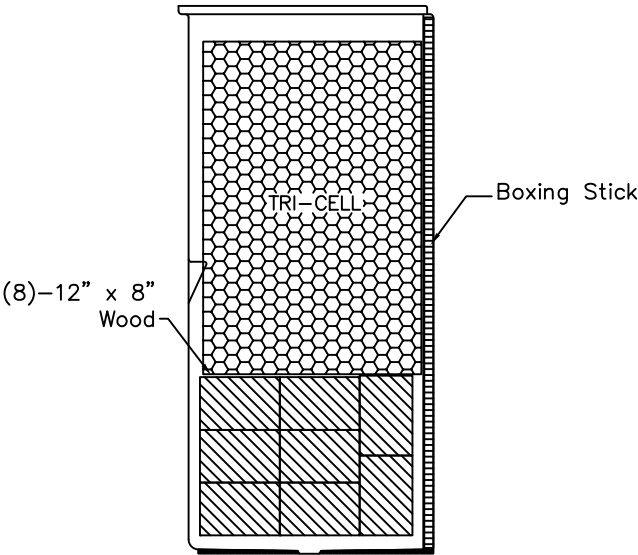


Easy Base

VALVE SIDE VIEW



SEAT SIDE VIEW



Tri-Cell Coverage-27 Sq. Ft.

	LAUREL MOUNTAIN
	Drawing#: LM 3938 BF .625 WLB WVB FHDP CR Easy Base-BP
	Date: 9-14-99 Revised: 12-16-16