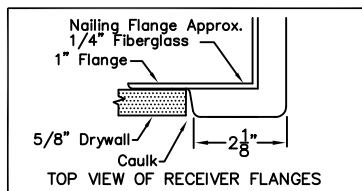
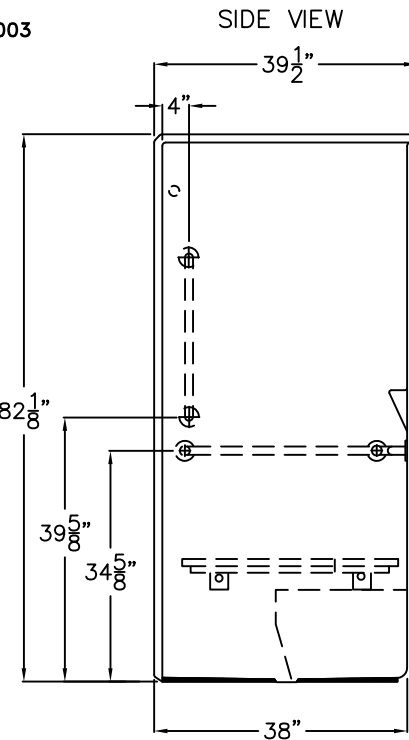
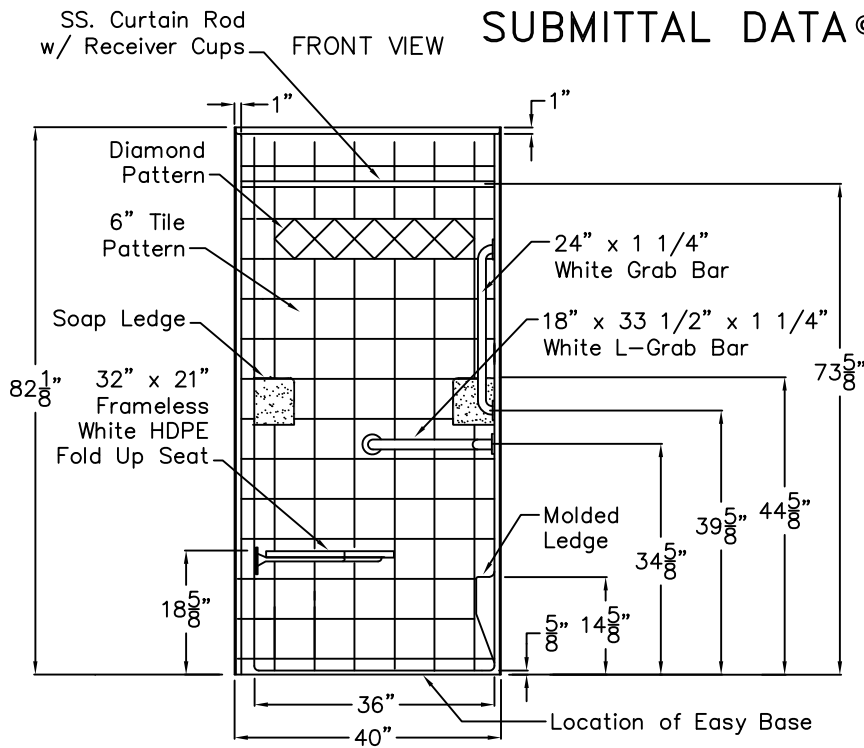
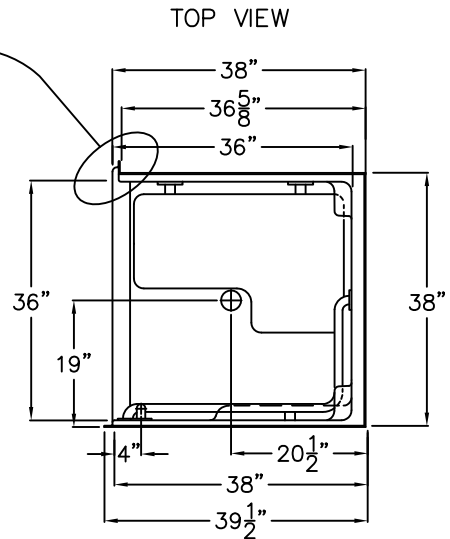


Comfort Series

SUBMITTAL DATA © 2003



Drywall Receiver Flange (Seat Side 11/16" Deep)



NOTE: THIS UNIT REQUIRES NO CAULK BRASS DRAIN DO NOT ROUGH-IN ON THE VALVE SIDE UNTIL UNIT IS RECEIVED AND IN PLACE.

DUE TO THE NATURE OF THE MATERIALS DIMENSIONS MAY VARY ± 1/2"

Transfer Shower Stall

The shower enclosure shall be Laurel Mountain Whirlpools Model LM 3938 BF ADA .625 center. Finished surface shall be of a sanitary grade Gelcoat surface, exhibiting a minimal thickness of 15 dry mils, and a finished cured Barcol hardness of 80-90 as tested with ASTM D-2583. Unit construction shall be of molded reinforced fiberglass with a 15% minimum fiberglass content. The unit shall have outside dimensions of 40" x 39 1/2" x 82 1/8". The base shall be attached to the sump of the unit in such a manner to form and integral part with an inner and outer coating of reinforced polyester resin. The unit shall meet ANSI 117.1, ADA, ANSI Z1241-.2, HUD, BOCA, Home Innovation Research Lab, UPC, and shall meet the requirements of Southern Building Code.

Framing Coordination: Framing pocket 38" x 39 1/2". Add 1/4" to width for required installation wiggle room. Refer to Page 2 or installaion instructions for further details.

The enclosure shall be equipped with the following installed accessories:

- 1) One 18" x 33 1/2" x 1 1/4" diameter white horizontal L-grab bar, 2) One 24" x 1 1/4" diameter white grab bar vertical on the valve wall, both grab bars shall have 1 1/2" safety statute clearance, mounted with stainless steel bolts and secured from the rear with a 3" x 3" x 11 gauge metal mounting plate, 3) Frameless 32" x 21" white HDPE fold up seat, 4) Molded soap ledges, 5) Drywall receiver flange on seat side, 6) Lower molded soap ledge on valve wall. 7) Tile finish, 8) Diamond accents, 9) Factory installed Easy Base self-sustaining bottom, 10) Tri-Cell backing, 11) 5/8" Threshold.

NOTE: THIS UNIT WILL NOT ACCEPT A SHOWER DOOR.

Job Name:

LAUREL MOUNTAIN WHIRLPOOLS

Approved By Print Name:

Drawing#: LM 3938 BF .625 WLB WVB FHDP CR Easy Base

Approved By Signature:

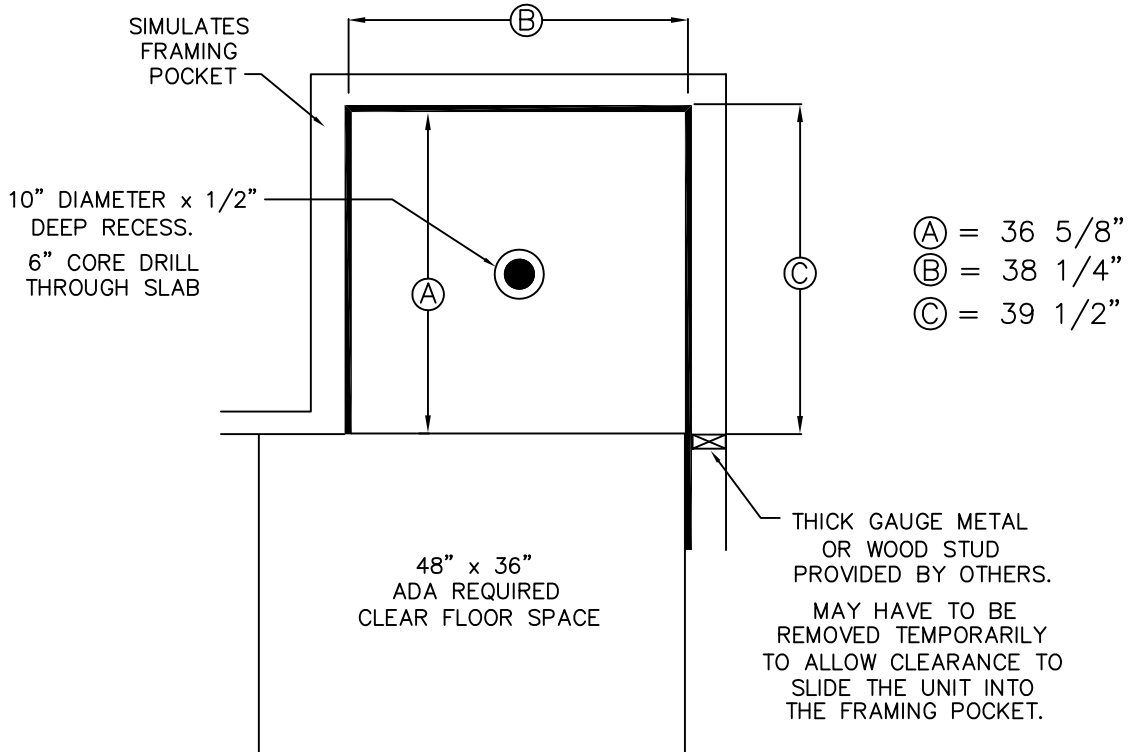
Date Approved:

Date: 9-14-99

Revised: 7-17-14

Comfort Series

SUBMITTAL DATA © 2003

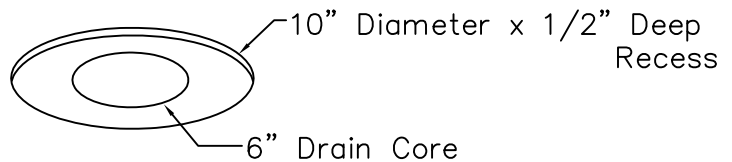


1/4" WAS ADDED TO "B" ROUGH IN DIMENSION TO PROVIDE WIGGLE ROOM.

This section refers to units with a 1/2" threshold.

"No Recess Necessary" units are designed to be installed directly on the sub-floor surface. A 10" diameter x 1/2" deep recess around the 6 inch drain core is required to accept the factory drain slope of the unit.

A non-shrinking bedding slurry is required for standard installation.



For units configured with the factory installed EASY BASE self sustaining bottom may only need to be shimmed. The floor of the shower is adhered to the floor with adhesive (provided by others).

Refer to installation instructions for further details.

DUE TO THE NATURE OF THE MATERIALS DIMENSIONS MAY VARY ± 1/2"

Job Name:

LAUREL MOUNTAIN WHIRLPOOLS

Model No.:

Drawing#: LM 3938 BF .625 WLB WVB FHDP
CR Easy Base

Approved by:

Date Approved:

Date: 9-14-99

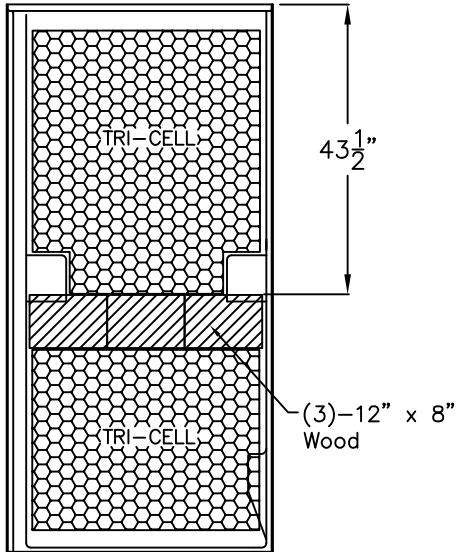
Revised: 7-17-14

LAUREL MOUNTAIN WHIRLPOOLS
2418 Wilmington Road Suite C New Castle Pa. 16105
1 (800) 930 0050 - FAX 1-(800) 930 0051

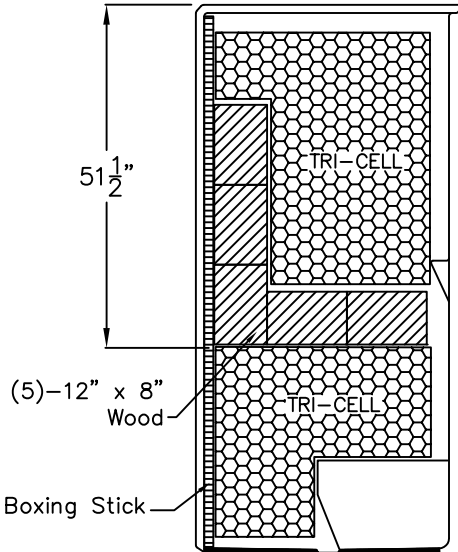
Board Placement

SUBMITTAL DATA

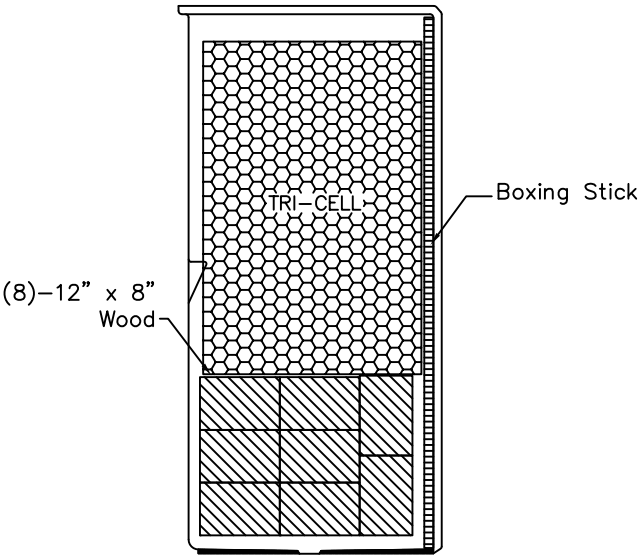
FRONT VIEW



VALVE SIDE VIEW



SEAT SIDE VIEW



Tri-Cell Coverage-27 Sq. Ft.

Job Name:	LAUREL MOUNTAIN WHIRLPOOLS
Model No.:	Drawing#: LM 3938 BF .625 WLB WVB FHDP CR Easy Base-BP
Approved by:	Date Approved:
	Date: 9-14-99 Revised: 3-20-14

LAUREL MOUNTAIN WHIRLPOOLS
2418 Wilmington Road Suite C New Castle Pa. 16105
1 (800) 930 0050 - FAX 1-(800) 930 0051