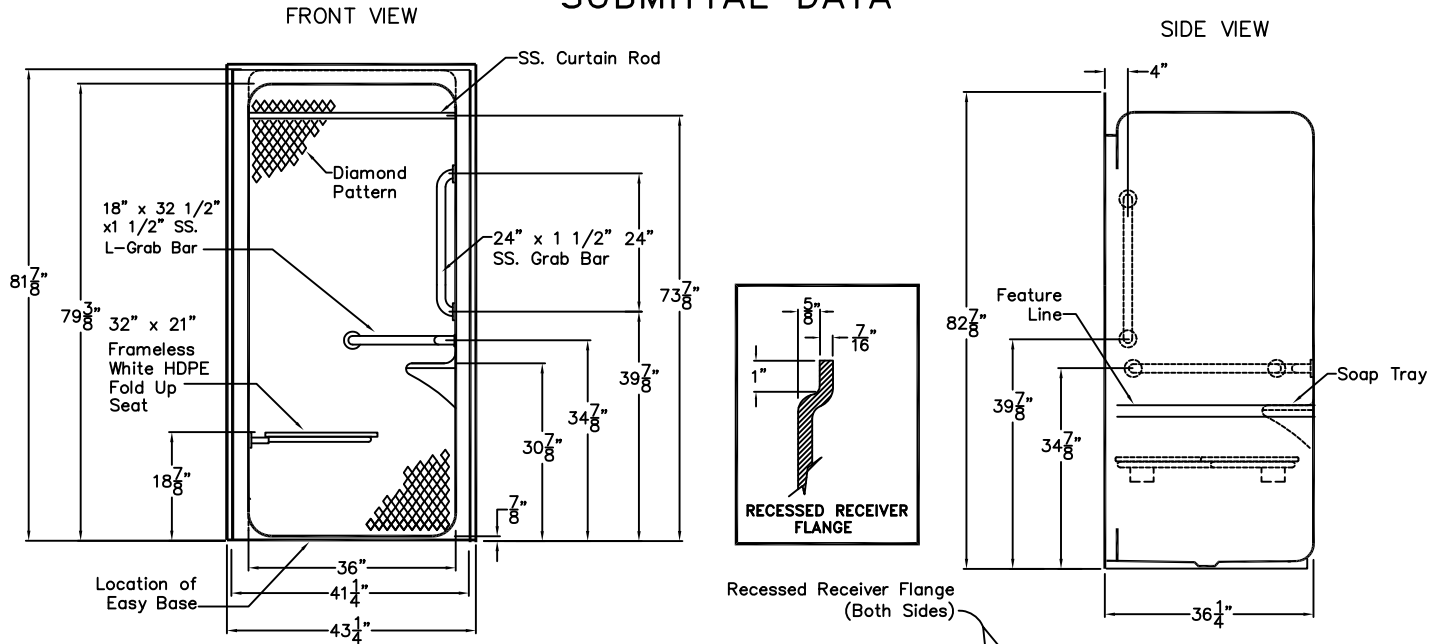


Special Needs Series

SUBMITTAL DATA



Transfer Shower Stall

This shower enclosure shall be Laurel Mountain Whirlpools Model LM 4136 BF. The unit shall be molded from a single sheet of acrylic so as not to have any seams or joints. It shall meet ANSI A117.1, ADA, BOCA, Home Innovation Research Lab, CSA B45.5-11, IAPMO Z124-2011 MN. code, shall have the back side fire rating of "A" and a flame spread of less than 25, shall be designed to meet most state and national standards on design for the disabled. The unit shall have inside dimensions of 36" x 36" x 80 1/2" and the outside dimensions of 41 1/4" x 36 1/4" x 82 7/8".

The enclosure shall be equipped with the following factory installed accessories:

- 1) One 18" x 32 1/2" x 1 1/2" diameter stainless steel grab bar,
- 2) One 24" x 1 1/2" diameter stainless steel vertical grab bar, both with 1 1/2" clearance statute, mounted with stainless steel bolts secured from the rear with 3" x 3", 11 gauge metal backing plates,
- 3) One inch diameter, 18 gauge stainless steel curtain rod,
- 4) Frameless 32" x 21" white HDPE fold up seat,
- 5) Diamond pattern on the back wall,
- 6) Recessed drywall receiver flange along both sides and across the top,
- 7) Molded corner soap tray,
- 8) Factory installed Easy Base self sustaining bottom,
- 9) 7/8" Threshold.

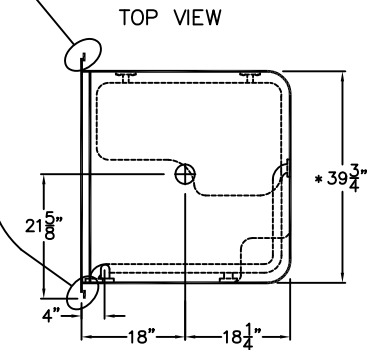
Available options: 1) Hand held shower set includes: hand held shower set with swivel connector, 60" flex hose, 30" slide bar, vacuum breaker, brass nipple, lock nut and shower wall outlet, 2) pressure balance valve, 3) Green anti-bacterial shower curtain with hooks, 4) White shower curtain and hooks, 5) Molded seat, 6) Nurses call box drilling, 7) Dome light.

NOTE: EACH SIDE WALL CONTAINS A FEATURE LINE FROM 30" TO 32" HORIZONTAL. THIS FEATURE LINE OFFSETS 3/8" FROM THE SIDE WALL. IN PLUMBING PLANS ENSURE THIS WILL NOT INTERFERE WITH VALVE AND PLUMBING PLACEMENT.

THIS UNIT FEATURES THE OUTSIDE DIMENSIONS OF 41 1/4" OF OVERALL WIDTH. THIS DOES NOT ALLOW FOR FULL ENCLOSURE OF THE BOLTS THAT ARE USED TO SECURE THE BARS AND SEAT IN PLACE. THE BOLT AND NUT COMBINATION SHOULD NOT PROTRUDE ANY MORE THAN 3/4" ON EITHER SIDE OF THE SHOWER WALLS. THIS MAY REQUIRE THE NEED TO NOTCH STUDS TO ALLOW BOLT CLEARANCE FOR INSTALLATION.

FOR A DRY WALL ENCLOSED FIRE WALL INSTALLATION, ADJUSTMENT OF THE WALLBOARD MAY BE NECESSARY TO PROVIDE CLEARANCE OF THE BOLT(S) WHILE MAINTAINING THE INTEGRITY OF THE DRYWALL ENCLOSED FIRE WALL ENCLOSURE.

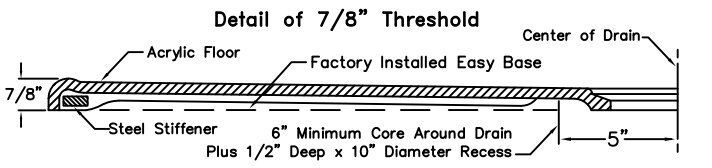
NOTE: THIS UNIT WILL NOT ACCEPT A DOOR!



ROUGH IN DIMENSIONS FOR UNITS WITHOUT SEAT FEATURED: 38 1/4" x 37 1/4" x 82 7/8"
 ROUGH IN DIMENSIONS FOR UNITS FEATURING A MOLDED SEAT: 38" x 37 1/4" x 82 7/8"
 ROUGH IN DIMENSIONS FOR UNITS FEATURING A FOLD UP SEAT: 39 3/4" x 37 1/4" x 82 7/8"

* NOTE: THIS DIMENSION IS NOT TO SCALE. THIS DIMENSION INCLUDES NUTS/BOLTS, WOOD AND HARDWARE REQUIRED FOR ASSEMBLY. OFFSET THE 39 3/4", 1/2" TOWARDS THE FOLD UP SEAT SIDE TO ALLOW FOR THE BOARD.

DUE TO THE NATURE OF THE MATERIALS INVOLVED, UNIT DIMENSIONS MAY VARY ± 1/2 INCH.



LAUREL MOUNTAIN WHIRLPOOLS

Approved by Print Name:

Drawing#: LM 4136 BF .875 SLB VB FHDP
 CR RRF Easy Base

Approved by Signature:

Date Approved:

Date: 6-1-07

Revised: 7-17-14

Rep.:

Wholesaler:

Quote No.:

LAUREL MOUNTAIN WHIRLPOOLS
 2418 Wilmington Road Suite C New Castle Pa. 16105
 1 (800) 930 0050 - FAX 1-(800) 930 0051