

### 5Piece Sectional BF Shower

The sectional shower shall be model LM 5050 BF 5 Piece center drain. Finished surface shall be of a sanitary grade applied acrylic.

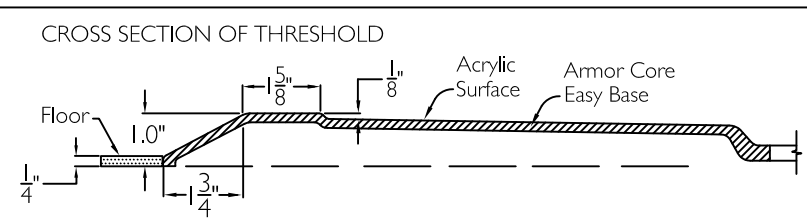
Unit has outside dimensions of : 50 1/2" x 50 1/8" x 77 3/4".

The five piece shower shall meet: CSA B45.5, IAPMOZ124, HUD, FHA, Home Innovation Research Lab, and shall meet the requirements of the Southern Building Code.

The enclosure shall be equipped with the following installed accessories:

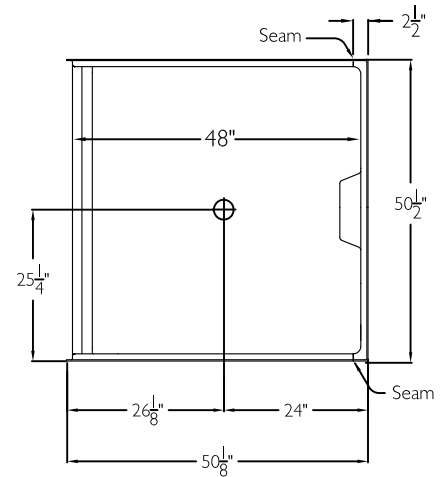
- 1) Tile finish on walls,
- 2) Full reinforced backing on all walls,
- 3) 5 Piece sectional design,
- 4) Molded soap ledge low on the back wall,
- 5) Seam in the back wall,
- 6) Center drain location,
- 7) Factory installed Armor Core Easy Base,
- 8) Brass drain fitting,
- 9) Collapsible water retainer with end caps,
- 10) 1.0" threshold,
- 11) Stainless steel curtain rod with receiver cups,
- 12) Weighted shower curtain.

NOTE: UNIT SHIPPED UN-ASSEMBLED. (FIELD ASSEMBLY BY OTHERS).



DUE TO THE NATURE OF THE MATERIALS DIMENSIONS MAY VARY + - 1/2 INCH.

### TOP VIEW



## LAUREL MOUNTAIN

Drawing #: LM 5050 BF 5P 1.0" CR FWB Easy Base

Date: 11-1-0-15 Revised: 4-13-17

Danridge