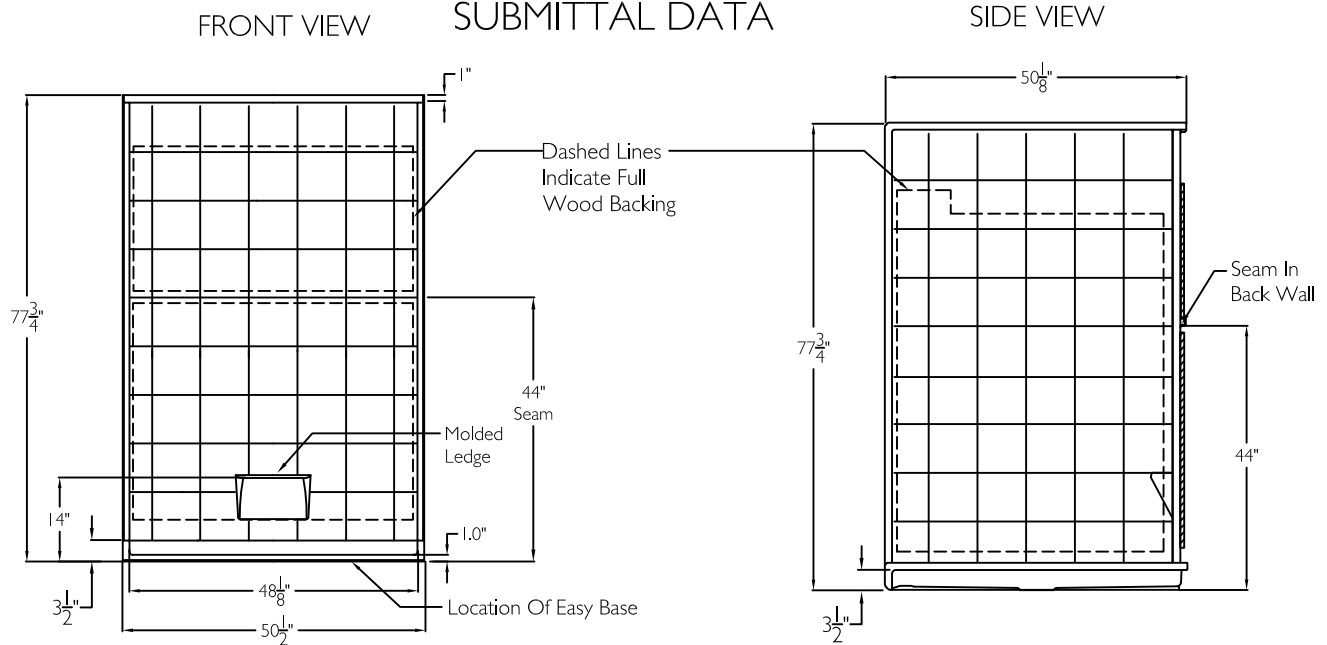


Comfort Series SUBMITTAL DATA



5Piece Sectional BF Shower

The sectional shower shall be model LM 5050 BF 5 Piece center drain. Finished surface shall be of a sanitary grade polyester gelcoat, exhibiting a minimal thickness of 15 dry mils, and a finished cured Barcoal hardness of 80-90 as tested with ASTM D-2583. Unit construction shall be of molded reinforced fiberglass with a minimum 15% fiberglass content.

Unit has outside dimensions of : 50 1/2" x 50 1/8" x 77 3/4".

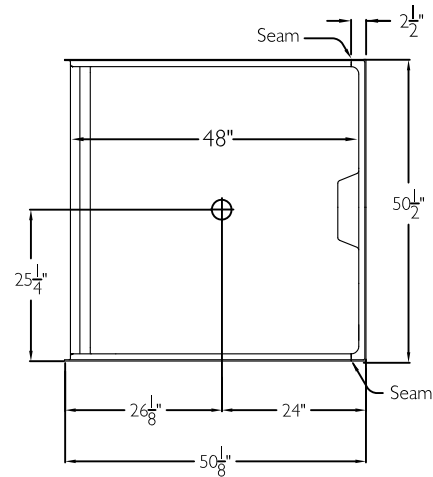
The five piece shower shall meet: CSA B45.5, IAPMOZ124, HUD, FHA, Home Innovation Research Lab, and shall meet the requirements of the Southern Building Code.

The enclosure shall be equipped with the following installed accessories:

- 1) Tile finish on walls,
- 2) Full wood backing on walls,
- 3) 5 Piece sectional design,
- 4) Molded soap ledge low on the back wall,
- 5) Seam in the back wall,
- 6) Center drain location,
- 7) Factory installed Easy Base self sustaining bottom,
- 8) Brass drain fitting,
- 9) Collapsible water retainer with end caps,
- 10) 1.0" threshold.

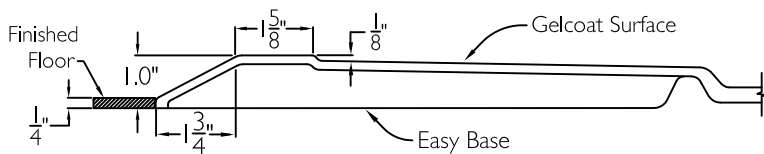
NOTE: UNIT SHIPPED UN-ASSEMBLED. (FIELD ASSEMBLY BY OTHERS).

TOP VIEW



DUE TO THE NATURE OF THE MATERIALS
DIMENSIONS MAY VARY + - 1/2 INCH.

CROSS SECTION OF THRESHOLD



LAUREL MOUNTAIN

Drawing #: LM 5050 BF 5P 1.0" FWB Easy Base

Date: 11-1-0-15

Revised:

Danridge

LAUREL MOUNTAIN

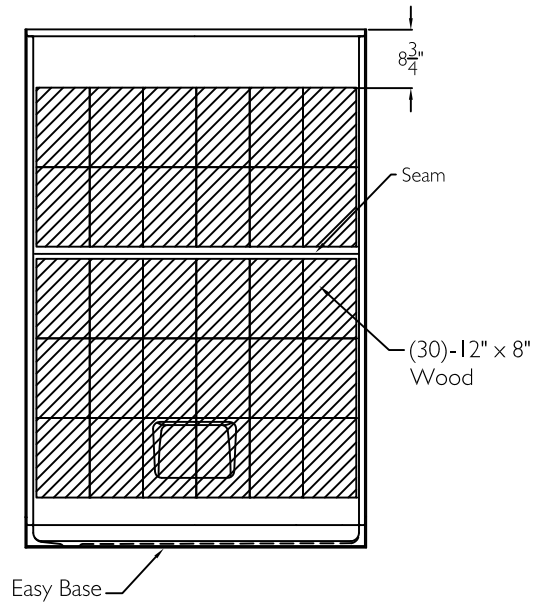
26 Nesbitt Road Suite 257 New Castle, Pa. 16105

Phone: 1 (800 930 0050 Fax: 1 800 930 0051 Email: sales@lmbath.com

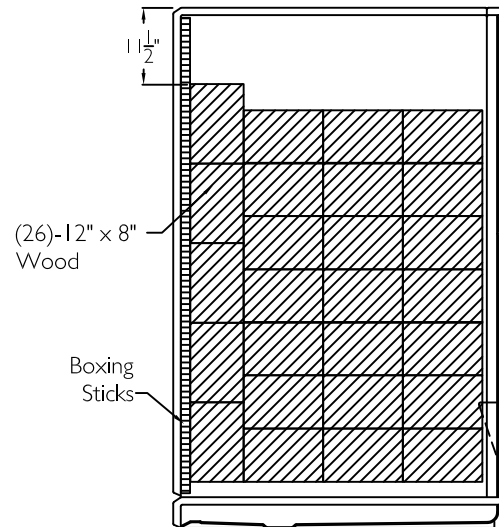
Board Placement Drawing

SUBMITTAL DATA

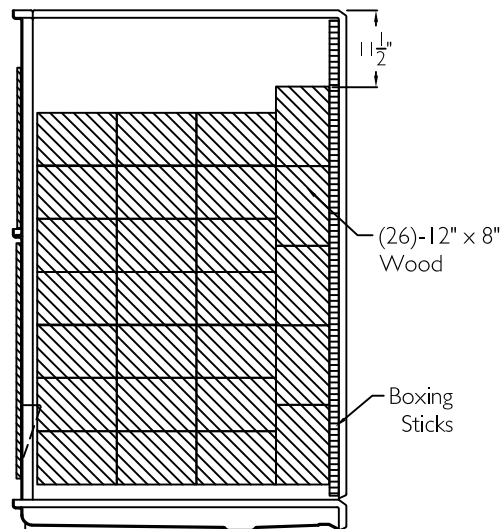
FRONT VIEW



SIDE VIEW



SIDE VIEW



DUE TO THE NATURE OF THE MATERIALS
DIMENSIONS MAY VARY + - 1/2 INCH.

LAUREL MOUNTAIN

Drawing #: LM 5050 BF 5P 1.0" FWB Easy Base

Date: 11-10-15

Revised:

Danridge

LAUREL MOUNTAIN

26 Nesbitt Road Suite 257 New Castle, Pa. 16105

Phone: 1 (800 930 0050 Fax: 1 800 930 0051 Email: sales@lmbath.com