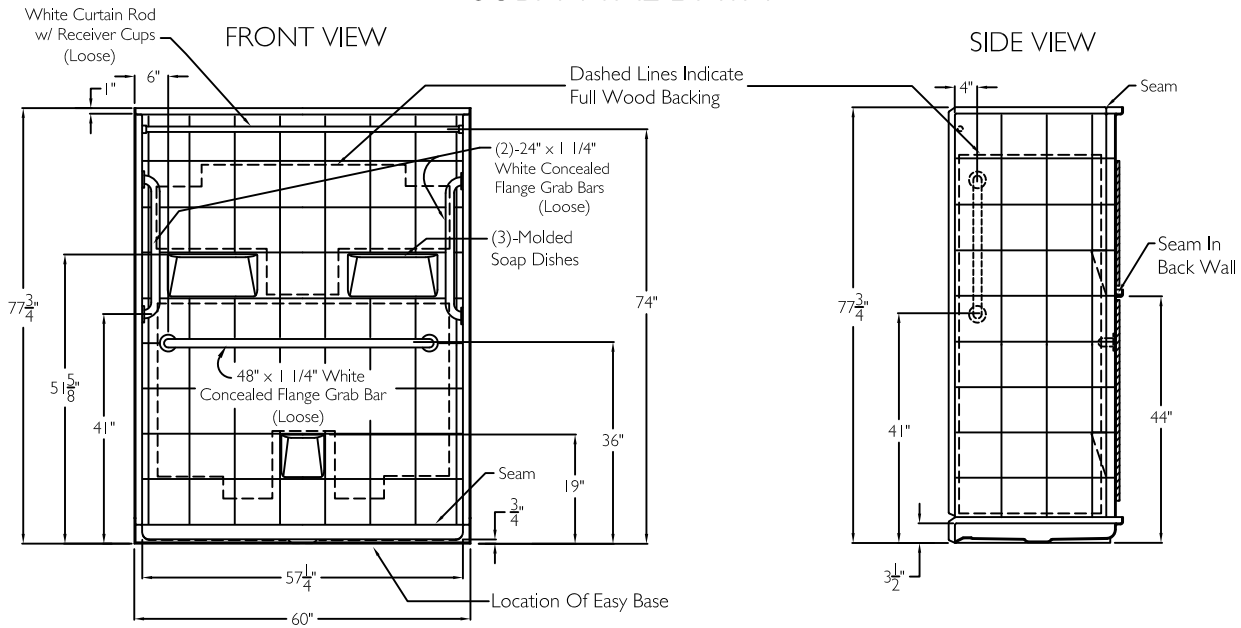


SUBMITTAL DATA



5 Piece Sectional BF Shower

The sectional shower shall be model LM 6030 BF 5 Piece left or right drain. Finished surface shall be of a sanitary grade applied acrylic.

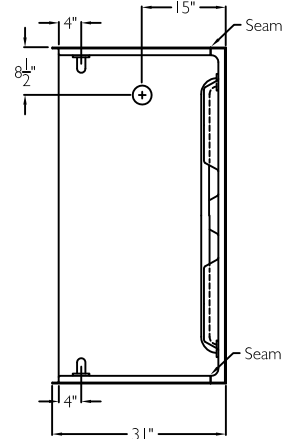
Unit has outside dimensions of : 60" x 31" x 77 3/4".
 The five piece shower shall meet: CSA B45.5, IAPMOZ124, HUD, FHA, and Home Innovation Research Lab.

The enclosure shall be equipped with the following installed accessories:

- 1) Tile finish on walls,
- 2) Full wood backing on walls,
- 3) 5 Piece sectional design,
- 4) Three molded soap ledges on the back wall,
- 5) Seam in the back wall,
- 6) Left or right drain location,
- 7) Factory installed Easy Base self sustaining bottom,
- 8) 1.0" Change of level threshold,
- 9) One 48" x 1 1/4" white horizontal grab bar on the back wall,
- 10) Two 24" x 1 1/4" white vertical grab bars one on each side wall,
- 11) White curtain rod with receiver cups,
- 12) Weighted shower curtain,
- 13) Collapsible water retainer with end caps,
- 14) Brass drain fitting.

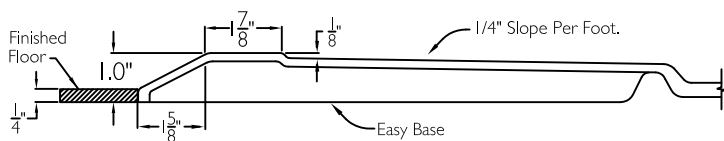
NOTE: GRAB BARS, AND CURTAIN ROD SHIPPED LOOSE. (FIELD INSTALLED BY OTHERS).
 UNIT SHIPPED UN-ASSEMBLED. (FIELD ASSEMBLY BY OTHERS).

TOP VIEW



DUE TO THE NATURE OF THE MATERIALS DIMENSIONS MAY VARY +/- 1/2 INCH.

CROSS SECTION OF THRESHOLD



LAUREL MOUNTAIN

Drawing #: LM 6030 BF 5P 1.0" WCFHBW WCFVSW2
 WCR (Loose) FWB Easy Base

Date: 11-1-0-15 Revised: 12-15-16

COWAN