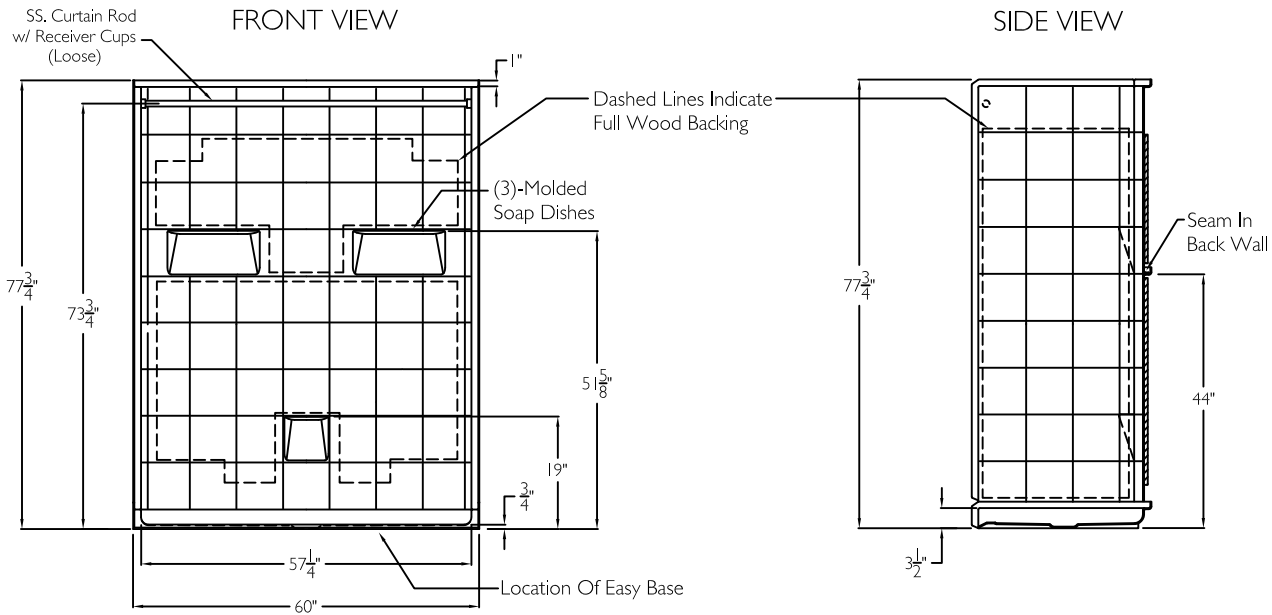


SUBMITTAL DATA



5Piece Sectional BF Shower

The sectional shower shall be model LM 6030 BF 5 Piece center drain. Finished surface shall be of a sanitary grade applied acrylic.

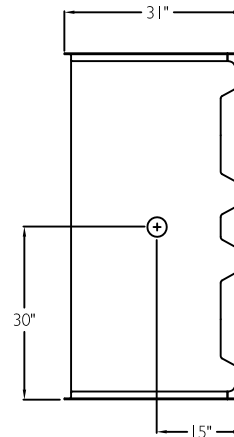
Unit has outside dimensions of : 60" x 31" x 77 3/4".  
 The five piece shower shall meet: CSA B45.5, IAPMOZ124, HUD, FHA, and Home Innovation Research Lab.

The enclosure shall be equipped with the following installed accessories:

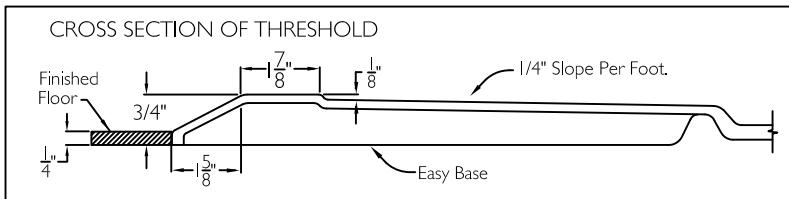
- 1) Tile finish on walls,
- 2) Full wood backing on walls,
- 3) 5 Piece sectional design,
- 4) Three molded soap ledges on the back wall,
- 5) Seam in the back wall,
- 6) Center drain location,
- 7) Factory installed Easy Base self sustaining bottom,
- 8) Brass drain fitting,
- 9) Collapsible water retainer with end caps,
- 10) 3/4" Change of level threshold,
- 11) Stainless steel curtain rod with receiver cups,
- 12) Weighted shower curtain.

NOTE: UNIT SHIPPED UN-ASSEMBLED. (FIELD ASSEMBLY BY OTHERS).

TOP VIEW



DUE TO THE NATURE OF THE MATERIALS DIMENSIONS MAY VARY + - 1/2 INCH.



<b>LAUREL MOUNTAIN</b>	
Drawing #: LM 6030 BF 5P .75" CR FWB Easy Base	
Date: 11-1-0-15	Revised: 12-16-16
Ridgely	