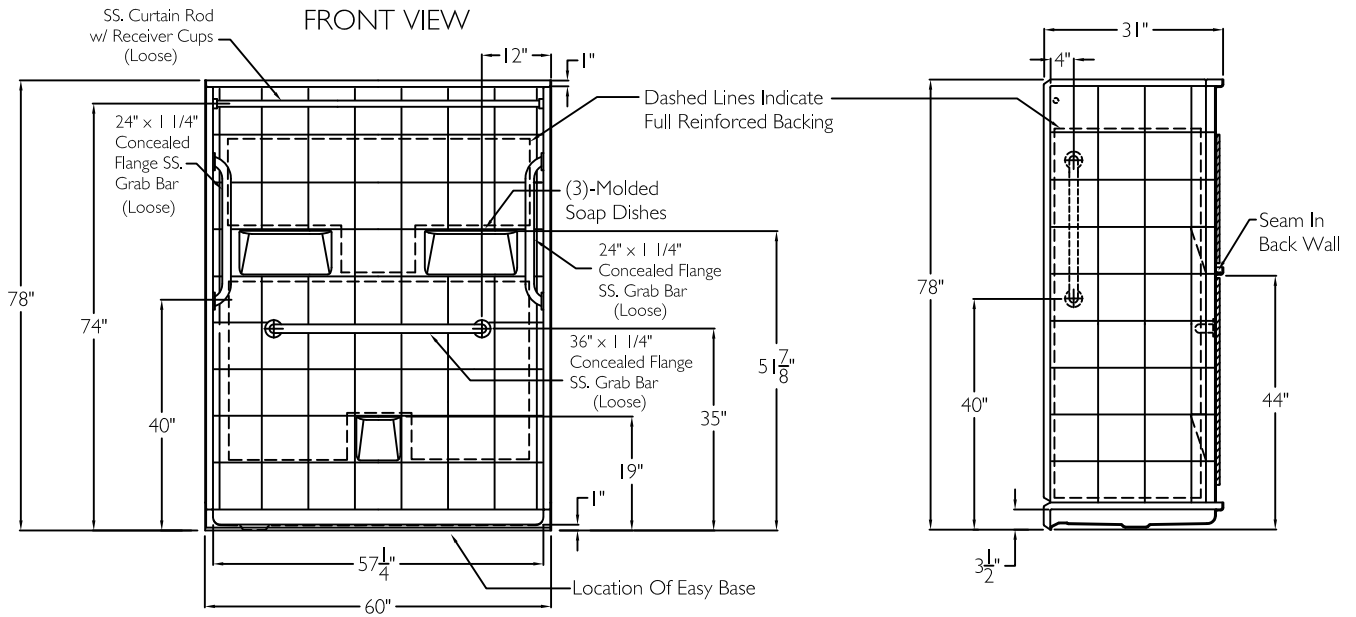


SUBMITTAL DATA



5 Piece Sectional BF Shower

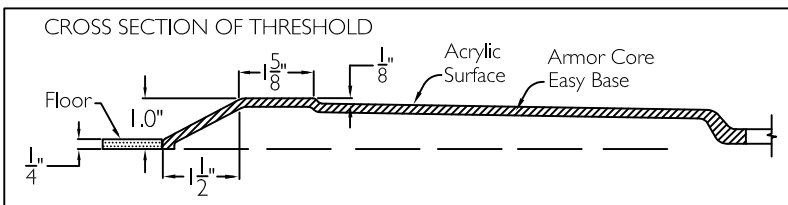
The sectional shower shall be model LM 6030 BF 5 Piece left or right drain. Finished surface shall be of a sanitary grade applied acrylic. Unit has outside dimensions of : 60" x 31" x 78".

The five piece shower shall meet: CSA B45.5, IAPMOZ124, HUD, FHA, and Home Innovation Research Lab.

The enclosure shall be equipped with the following installed accessories:

- 1) Tile finish on walls,
- 2) Full reinforced backing on all walls,
- 3) 5 Piece sectional design,
- 4) Three molded soap ledges on the back wall,
- 5) Seam in the back wall,
- 6) Left or right drain location,
- 7) Factory installed Armor Core Easy Base,
- 8) Brass drain fitting,
- 9) Collapsible water retainer with end caps,
- 10) 1.0" Change of level threshold,
- 11) Stainless steel curtain rod with receiver cups,
- 12) Weighted shower curtain
- 13) Two 24" and one 36" stainless steel grab bars.

NOTE: UNIT SHIPPED UN-ASSEMBLED. (FIELD ASSEMBLY BY OTHERS).



DUE TO THE NATURE OF THE MATERIALS DIMENSIONS MAY VARY +/- 1/2 INCH.

LAUREL MOUNTAIN

Drawing #: LM 6030 BF 5P 1.0" CFHBW CFHSW2 CR FWB Easy Base

Date: 11-1-0-15 Revised: 5-19-17

Jakeston II