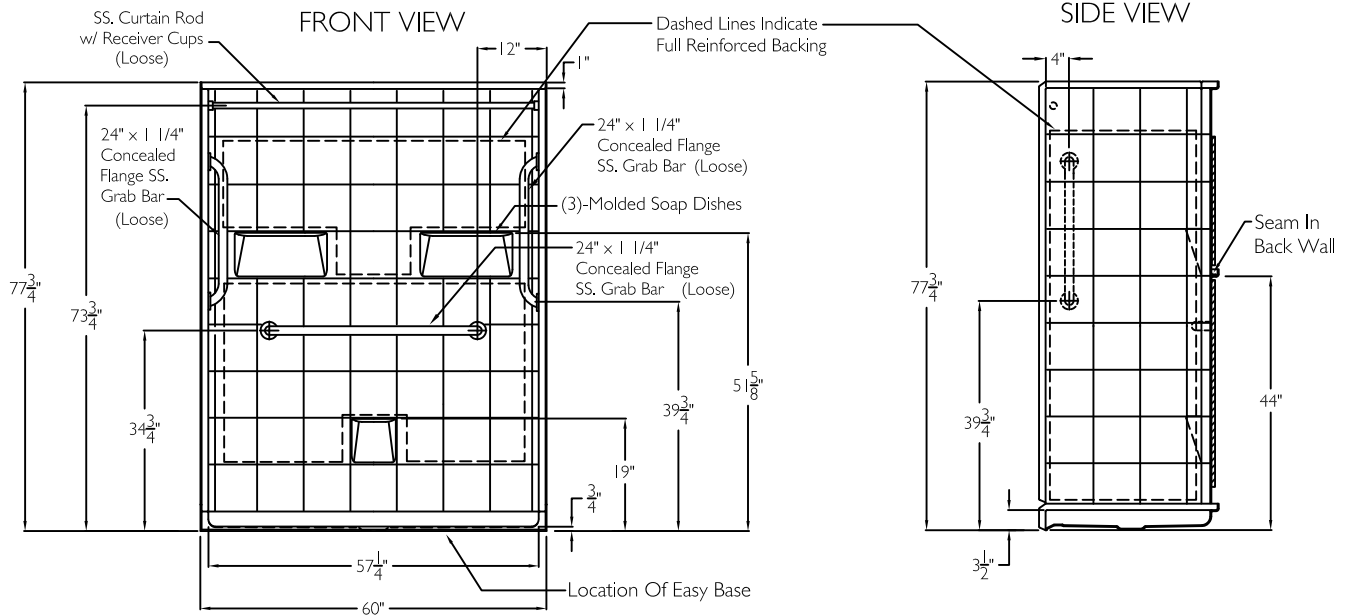


SUBMITTAL DATA



5 Piece Sectional BF Shower

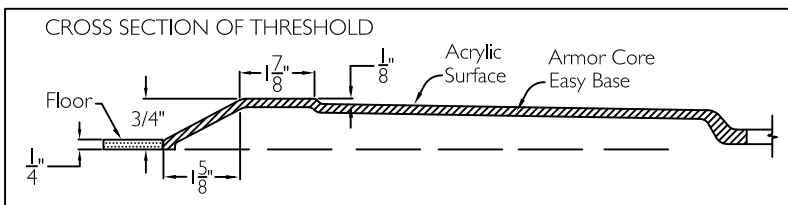
The sectional shower shall be model LM 6030 BF 5 Piece center drain. Finished surface shall be of a sanitary grade applied acrylic.

Unit has outside dimensions of : 60" x 31" x 77 3/4".  
The five piece shower shall meet: CSA B45.5, IAPMOZ124, HUD, FHA, and Home Innovation Research Lab.

The enclosure shall be equipped with the following installed accessories:

- 1) Tile finish on walls,
- 2) Full reinforced backing on all walls,
- 3) 5 Piece sectional design,
- 4) Three molded soap ledges on the back wall,
- 5) Seam in the back wall,
- 6) Center drain location,
- 7) Factory installed Armor Core Easy Base,
- 8) Brass drain fitting,
- 9) Collapsible water retainer with end caps,
- 10) 3/4" Change of level threshold,
- 11) Two 24" and one 36" stainless steel grab bars,
- 12) Stainless steel curtain rod with receiver cups,
- 13) Weighted shower curtain.

NOTE: UNIT SHIPPED UN-ASSEMBLED. (FIELD ASSEMBLY BY OTHERS).



DUE TO THE NATURE OF THE MATERIALS DIMENSIONS MAY VARY +/- 1/2 INCH.

LAUREL MOUNTAIN

Drawing #: LM 6030 BF 5P .75" CFHBW CFVSW2 CR FVB Easy Base

Date: 11-1-0-15 Revised: 5-19-17

Ridgely II