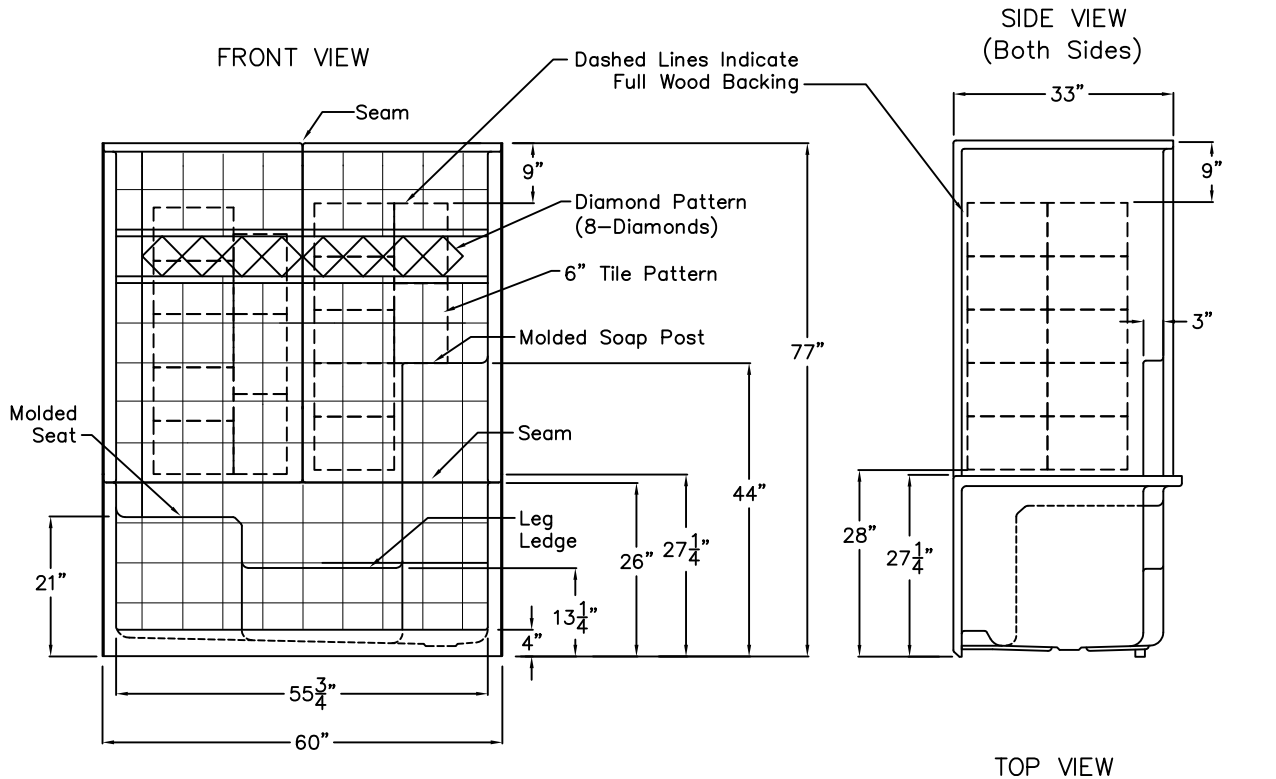


Luxury Gelcoat Series

SUBMITTAL DATA



THE SHOWER ENCLOSURE SHALL BE LAUREL MOUNTAIN WHIRLPOOLS MODEL LM 6032 SH 1S 3 PIECE 60" GELCOAT SECTIONAL SHOWER. UNIT HAS LARGE MOLDED SEAT, LEG LEDGE, CORNER SOAP DISH, TILE FINISH, DIAMOND ACCENTS, AND 4.0" THRESHOLD. THREE PIECE UNIT WITH BASE AND TWO PIECE WALL WITH MIDDLE VERTICAL SEAM. CONFIGURED WITH FULL WOOD BACKING ON ALL WALLS.

BASE SEAM IS 26" ABOVE THE BOTTOM OF THE SKIRT.

HANDED BY THE SEAT. LEFT HAND SHOWN, RIGHT HAND AVAILABLE.

Unit Complies With CSA B45.5, IAPMO Z124, Home Innovation Research Lab, HUD, And UPC.

DUE TO THE NATURE OF THE MATERIALS DIMENSIONS MAY VARY ± 1/2"

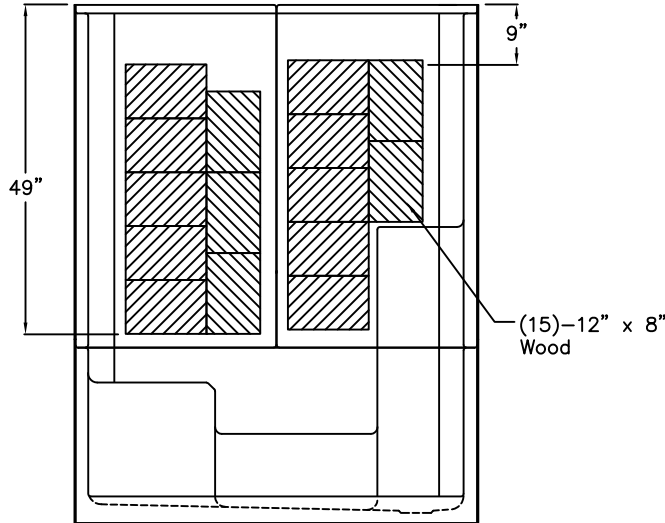
Job Name:		LAUREL MOUNTAIN WHIRLPOOLS	
Approved By Print Name:		Drawing#: LM6032 SH 1S 3P 4.0 FWB BASE	
Approved By Signature:	Date Approved:	Date: 8-22-08	Revised: 7-21-14
Rep.:	Wholesaler:	Quote No.:	

LAUREL MOUNTAIN WHIRLPOOLS
 2418 Wilmington Road Suite C New Castle Pa. 16105
 1 (800) 930 0050 - FAX 1-(800) 930 0051

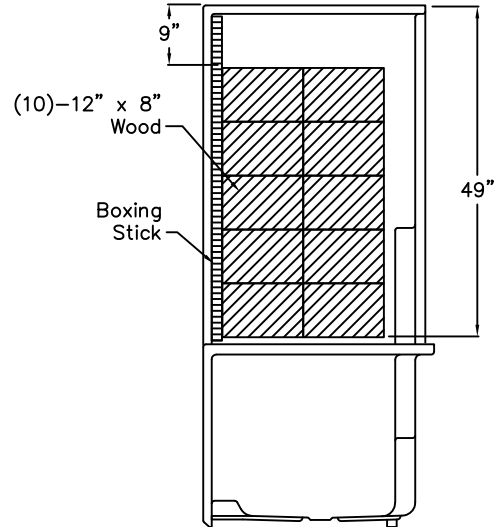
Board Placement Drawing

SUBMITTAL DATA

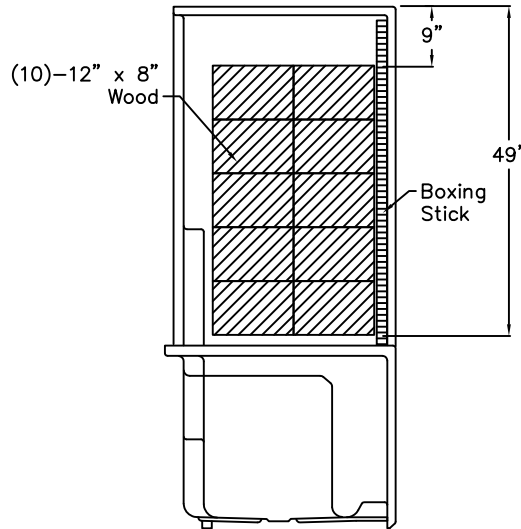
FRONT VIEW



SIDE VIEW



SEAT SIDE VIEW



DUE TO THE NATURE OF THE MATERIALS
DIMENSIONS MAY VARY $\pm 1/2$ "

Job Name:	LAUREL MOUNTAIN WHIRLPOOLS		
Model No.:	Drawing#: LM6032 SH 1S 3P 4.0 FWB BASE-BP		
Approved by:	Date Approved:	Date: 5-8-07.	Revised: 7-21-14
Rep.:	Wholesaler:	Quote No.:	

LAUREL MOUNTAIN WHIRLPOOLS
2418 Wilmington Road Suite C New Castle Pa. 16105
1 (800) 930 0050 - FAX 1-(800) 930 0051