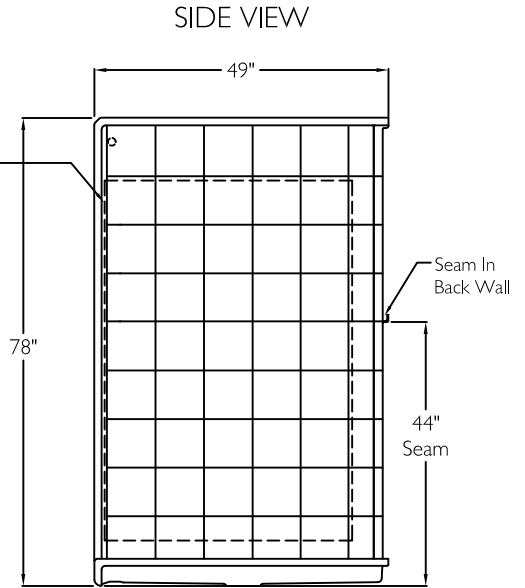
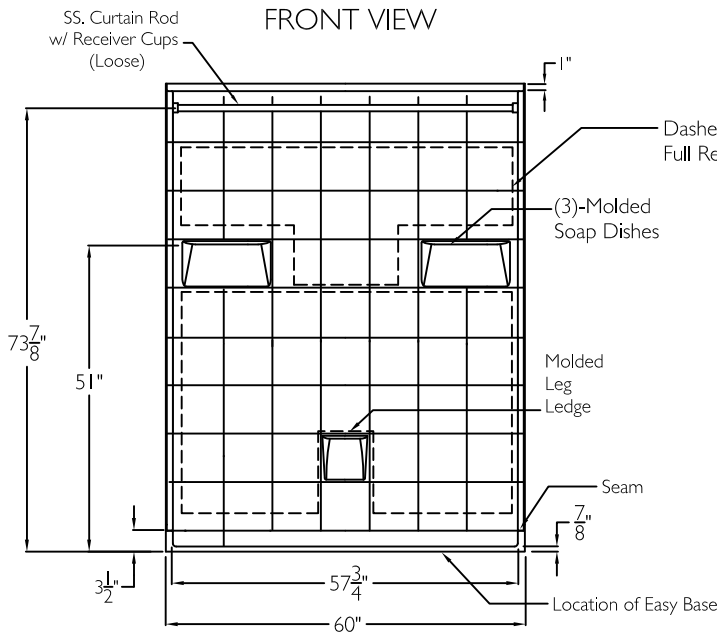


SUBMITTAL DATA



5 Piece Sectional BF Shower

The sectional shower shall be model LM 6048 BF 5 Piece center drain. Finished surface shall be of a sanitary grade applied acrylic.

Unit has outside dimensions of : 60" x 49" x 78".

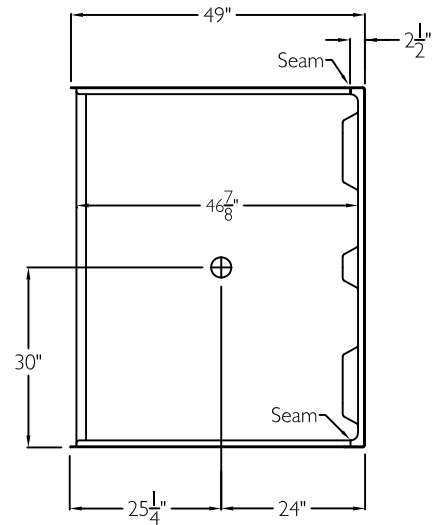
The five piece shower shall meet: CSA B45.5, IAPMOZI24, HUD, FHA, and Home Innovation Research Lab.

The enclosure shall be equipped with the following installed accessories:

- 1) Tile finish on walls,
- 2) Full wood backing on walls,
- 3) 5 Piece sectional design,
- 4) Three molded soap ledges on the back wall,
- 5) Seam in the back wall,
- 6) Center drain location,
- 7) Factory installed Armor Core Easy Base,
- 8) Brass drain fitting,
- 9) Collapsible water retainer with end caps,
- 10) 7/8" threshold,
- 11) Stainless steel curtain rod with receiver cups,
- 12) Weighted shower curtain.

NOTE: UNIT SHIPPED UN-ASSEMBLED. (FIELD ASSEMBLY BY OTHERS).

TOP VIEW



DUE TO THE NATURE OF THE MATERIALS DIMENSIONS MAY VARY + - 1/2 INCH.

LAUREL MOUNTAIN

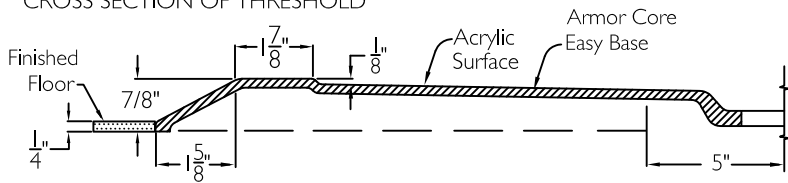
Drawing #: LM 6048 BF 5P .875" CR FWB Easy Base

Date: 11-12-15

Revised: 5-18-17

Saulsbury

CROSS SECTION OF THRESHOLD



LAUREL MOUNTAIN

26 Nesbitt Road Suite 257 New Castle, Pa. 16105

Phone: 1 800 930 0050 Fax: 1 800 930 0051 Email: sales@lmbath.com