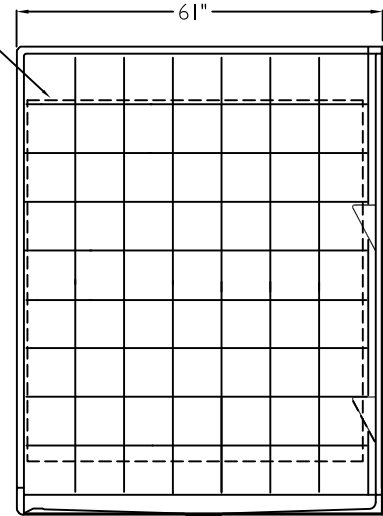
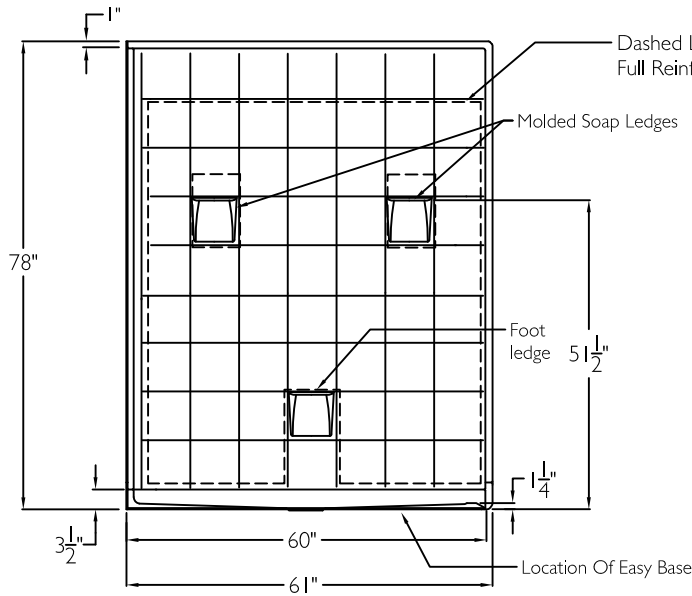


SIDE VIEW

SUBMITTAL DATA

SIDE VIEW



3Piece Sectional BF Shower

The sectional shower shall be model LM 6060 BF 3 Piece center drain. Finished surface shall be of a sanitary grade applied acrylic.

Unit has outside dimensions of : 61" x 61" x 78".

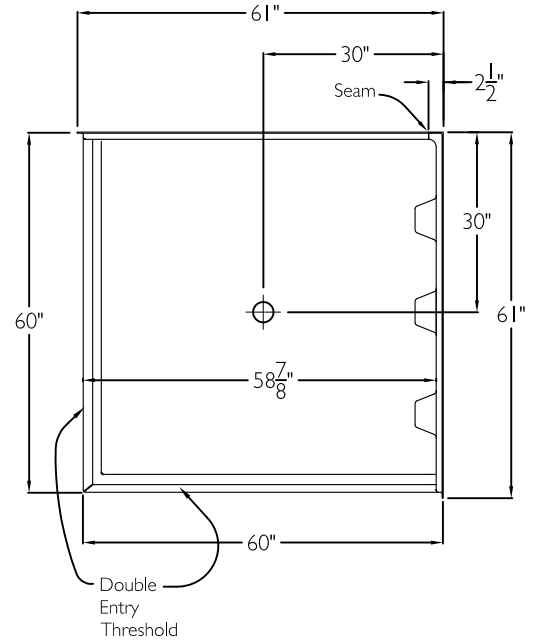
The three piece shower shall meet; CSA B45.5, IAPMOZ124, HUD, FHA, and Home Innovation Research Lab.

The enclosure shall be equipped with the following installed accessories:

- 1) Tile finish on walls,
- 2) Full reinforced backing on all walls,
- 3) 3 Piece sectional corner design,
- 4) Three molded soap ledges on one wall,
- 5) Center drain location,
- 6) Factory installed Armor Core Easy Base,
- 7) Brass drain fitting,
- 8) Collapsible water retainer with end caps,
- 9) 1.25" Double entry threshold,
- 10) Stainless steel curtain rod with receiver cups,
- 11) Weighted shower curtain.

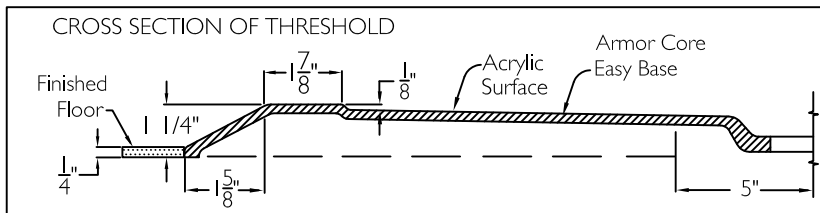
NOTE: UNIT SHIPPED UN-ASSEMBLED. (FIELD ASSEMBLY BY OTHERS).

TOP VIEW



DUE TO THE NATURE OF THE MATERIALS DIMENSIONS MAY VARY + - 1/2 INCH.

CROSS SECTION OF THRESHOLD



LAUREL MOUNTAIN

Drawing #: LM 6060 BF 3P 1.25" CR FWB Easy Base

Date: 11-12-15

Revised: 5-18-17

Tazewell

LAUREL MOUNTAIN

26 Nesbitt Road Suite 257 New Castle, Pa. 16105

Phone: 1 800 930 0050 Fax: 1 800 930 0051 Email: sales@lmbath.com