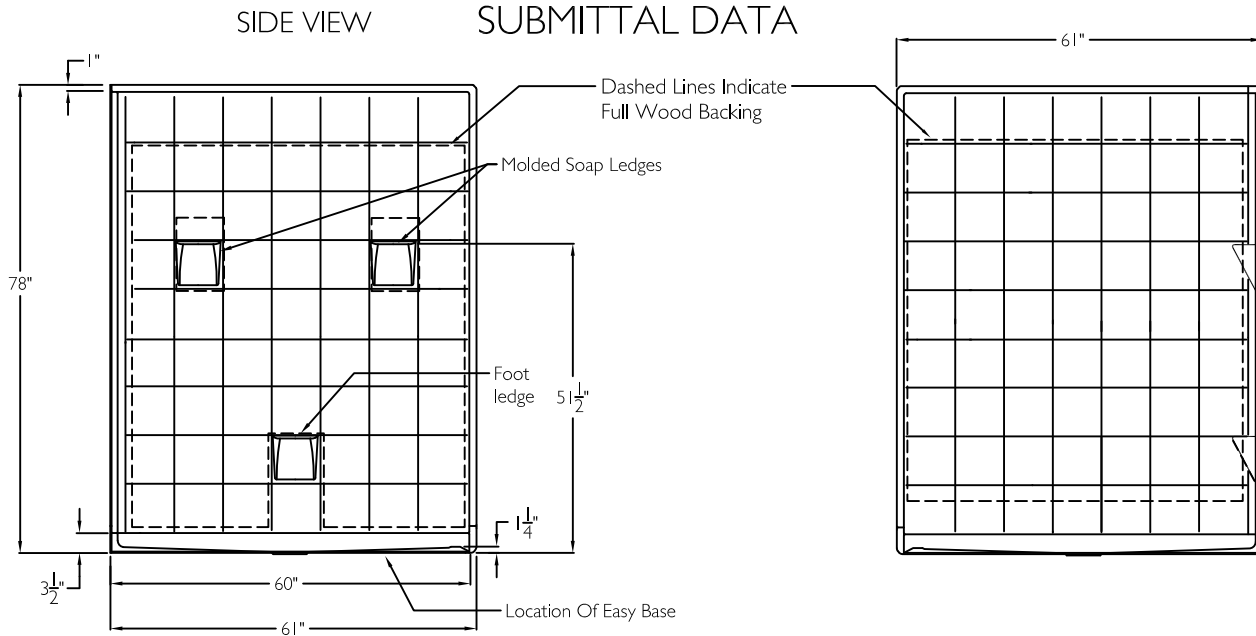


# Comfort Series SUBMITTAL DATA



## 3Piece Sectional BF Shower

The sectional shower shall be model LM 6060 BF 3 Piece center drain. Finished surface shall be of a sanitary grade polyester gelcoat, exhibiting a minimal thickness of 15 dry mils, and a finished cured Barcoal hardness of 80-90 as tested with ASTM D-2583. Unit construction shall be of molded reinforced fiberglass with a minimum 15% fiberglass content.

Unit has outside dimensions of : 61" x 61" x 78".

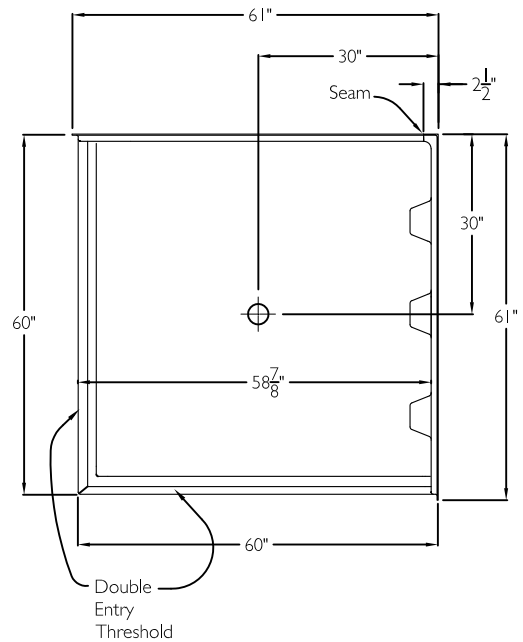
The three piece shower shall meet: CSA B45.5, IAPMOZI24, HUD, FHA, Home Innovation Research Lab, and shall meet the requirements of the Southern Building Code.

The enclosure shall be equipped with the following installed accessories:

- 1) Tile finish on walls,
- 2) Full wood backing on walls,
- 3) 3 Piece sectional corner design,
- 4) Three molded soap ledges on one wall,
- 5) Center drain location,
- 6) Factory installed Easy Base self sustaining bottom,
- 7) Brass drain fitting,
- 8) Collapsible water retainer with end caps,
- 9) 1.25" Double entry threshold.

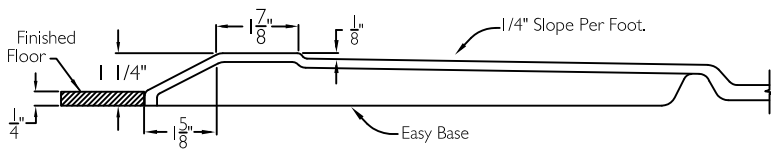
NOTE: UNIT SHIPPED UN-ASSEMBLED. (FIELD ASSEMBLY BY OTHERS).

## TOP VIEW



DUE TO THE NATURE OF THE MATERIALS  
DIMENSIONS MAY VARY + - 1/2 INCH.

## CROSS SECTION OF THRESHOLD



## LAUREL MOUNTAIN

Drawing #: LM 6060 BF 3P 1.25" FWB Easy Base

Date: 11-12-15

Revised:

Tazewell

LAUREL MOUNTAIN

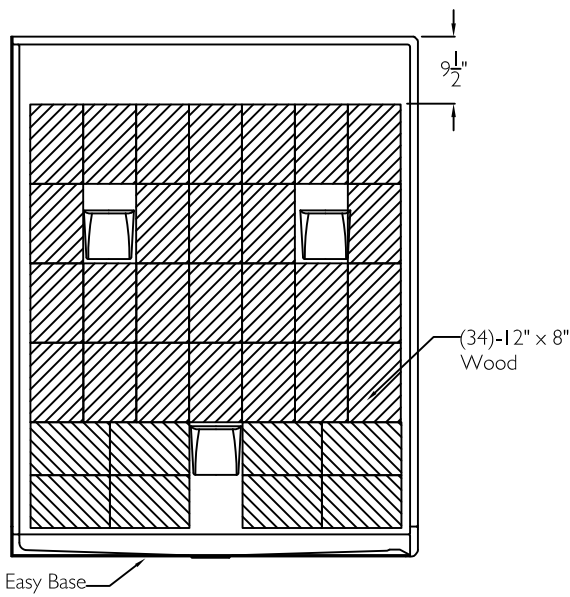
26 Nesbitt Road Suite 257 New Castle, Pa. 16105

Phone: 1 (800 930 0050 Fax: 1 800 930 0051 Email: sales@lmbath.com

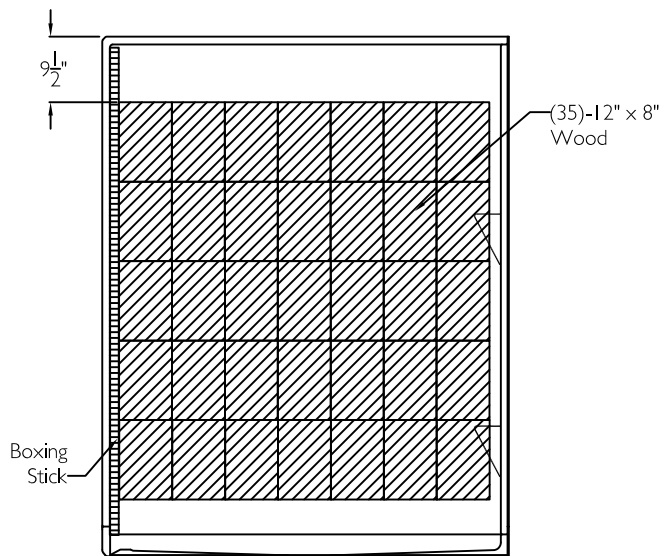
# Board Placement Drawing

## SUBMITTAL DATA

WALL WITH SOAP DISHES



FLAT WALL



DUE TO THE NATURE OF THE MATERIALS  
DIMENSIONS MAY VARY + - 1/2 INCH.

### LAUREL MOUNTAIN

Drawing #: LM 6060 BF 3P 1.25" FWB Easy Base

Date: 11-12-15

Revised:

Tazewell

LAUREL MOUNTAIN

26 Nesbitt Road Suite 257 New Castle, Pa. 16105

Phone: 1 (800) 930 0050 Fax: 1 800 930 0051 Email: sales@lmbath.com