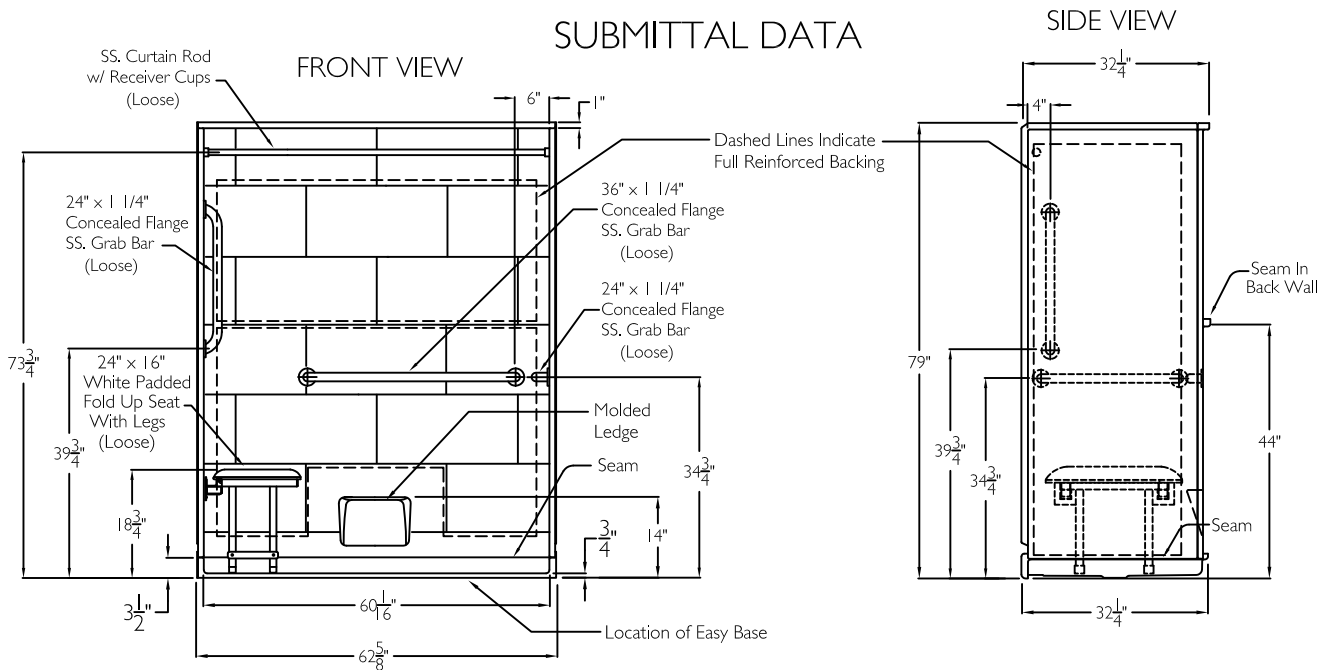


SUBMITTAL DATA



5 Piece Sectional Shower

The sectional shower shall be model LM 6232 BF 5 Piece center drain. Finished surface shall be of a sanitary grade applied acrylic.

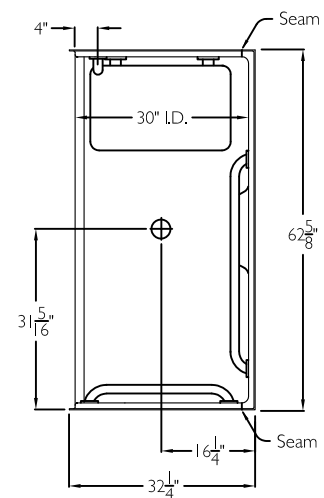
Unit has outside dimensions of : 62 5/8" x 32 1/4" x 79".
The five piece shower shall meet: CSA B45.5, IAPMOZ124, HUD, FHA, and Home Innovation Research Lab.

The enclosure shall be equipped with the following installed accessories:

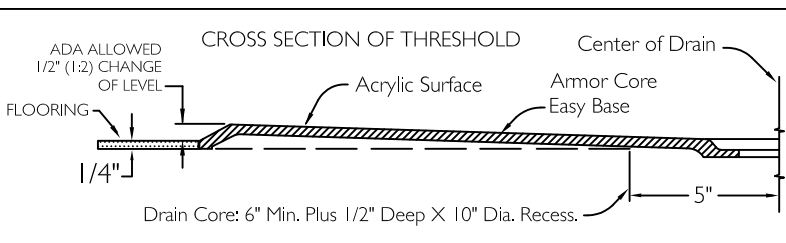
- 1) Subway tile finish on walls,
- 2) Full reinforced backing on all walls,
- 3) 5 Piece sectional design,
- 4) Molded soap ledge low on the back wall,
- 5) Seam in the back wall,
- 6) Center drain location,
- 7) Factory installed Armor Core Easy Base,
- 8) Brass drain fitting,
- 9) Collapsible water retainer with end caps,
- 10) 3/4" Change of level threshold,
- 11) Stainless steel curtain rod with receiver cups,
- 12) Weighted shower curtain.
- 13) Two 24" and one 36" stainless steel grab bars
- 14) Padded 24" x 16" fold up seat with legs - 1000 lb capacity.

NOTE: UNIT SHIPPED UN-ASSEMBLED. (FIELD ASSEMBLY BY OTHERS).

TOP VIEW



DUE TO THE NATURE OF THE MATERIALS DIMENSIONS MAY VARY + - 1/2 INCH.



LAUREL MOUNTAIN

Drawing #: LM 6232 BF 5P .75" COL CFHBW CFHSW CFVSW Bariatric PD CR FWB Easy Base

Date: 11-13-15

Revised: 5-18-17

Rossville III

LAUREL MOUNTAIN

26 Nesbitt Road Suite 257 New Castle, Pa. 16105

Phone: 1 800 930 0050 Fax: 1 800 930 0051 Email: sales@lmbath.com