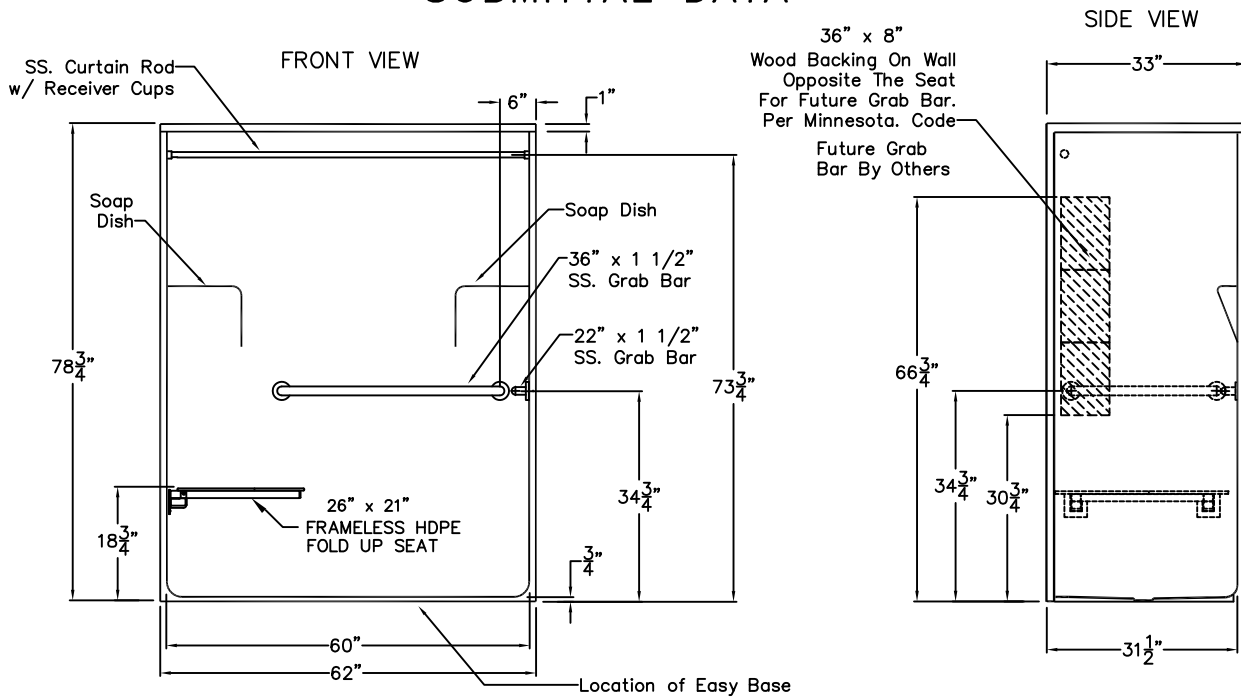


Special Needs Series

SUBMITTAL DATA



Roll-In Shower Stall

The shower enclosure shall be Laurel Mountain Whirlpools Model LM 6233 BF center, right or left. Finished surface shall be of a sanitary-grade polyester Gelcoat exhibiting a minimal thickness of 15 dry mils, and a finished cured Barcol hardness of 80-90 as tested with ASTM D-2583. Unit construction shall be of molded reinforced fiberglass with a 15% minimum fiberglass content. The unit shall have outside dimensions of 62" x 33" x 78 3/4". The base shall be attached to the sump in such a manner to form an integral part with an inner and outer coating of reinforced polyester resin. The unit shall meet ANSI A117.1, CSA B45.5-11, ADA, HUD, BOCA, Home Innovation Research Lab, IAPMOZ124-2011, and shall meet the requirements of Southern Building Code.

The enclosure shall be equipped with the following installed accessories:

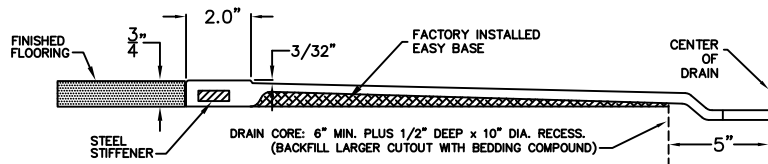
- 1) One 36" x 1 1/2" diameter, stainless steel grab bar,
- 2) One 22" x 1 1/2" diameter stainless steel grab bar with 1 1/2" statute clearance, mounted with stainless steel bolts and secured from the rear with a 3" x 3" x 11 gauge metal mounting plate,
- 3) Factory installed 26" x 21" frameless HDPE fold up seat,
- 4) One inch diameter, 18 gauge stainless steel curtain rod with receiver cups,
- 6) Factory installed Easy Base self sustaining bottom,
- 7) Molded corner soap dishes,
- 8) Wood backing on side wall opposite the seat for future vertical grab bar, (By Others),
- 9) Tri-Cell backing,
- 10) 3/4" Threshold.

NOTE: ROOM FLOOR MUST BE BUILT UP TO BE EVEN WITH TOP OF SHOWER THRESHOLD FOR A NON RECESS INSTALLATION OF THIS UNIT. (CODE COMPLIANCE. SEE BELOW)

THIS UNIT FEATURES THE OUTSIDE DIMENSIONS OF 62" OF OVERALL WIDTH. THIS DOES NOT ALLOW FOR FULL ENCLOSURE OF THE BOLTS THAT ARE USED TO SECURE THE BARS AND SEAT IN PLACE. THE BOLT AND NUT COMBINATION SHOULD NOT PROTRUDE ANY MORE THAN 3/4" ON EITHER SIDE OF THE SHOWER WALLS. THIS MAY REQUIRE THE NEED TO NOTCH STUDS TO ALLOW BOLT CLEARANCE FOR INSTALLATION.

FOR A DRY WALL ENCLOSED FIRE WALL INSTALLATION, ADJUSTMENT OF THE WALLBOARD MAY BE NECESSARY TO PROVIDE CLEARANCE OF THE BOLT (S) WHILE MAINTAINING THE INTEGRITY OF THE DRYWALL ENCLOSED FIRE WALL ENCLOSURE.

NOTE: THIS UNIT WILL NOT ACCEPT A DOOR!



DUE TO THE NATURE OF THE MATERIALS DIMENSIONS MAY VARY ± 1/2"

LAUREL MOUNTAIN WHIRLPOOLS

Approved By Print Name:

Drawing#: LM 6233 BF .75 HBW HSW BVB
FHDP CR Easy Base

Approved By Signature:

Date Approved:

Date: 10-8-08

Revised: 7-17-14

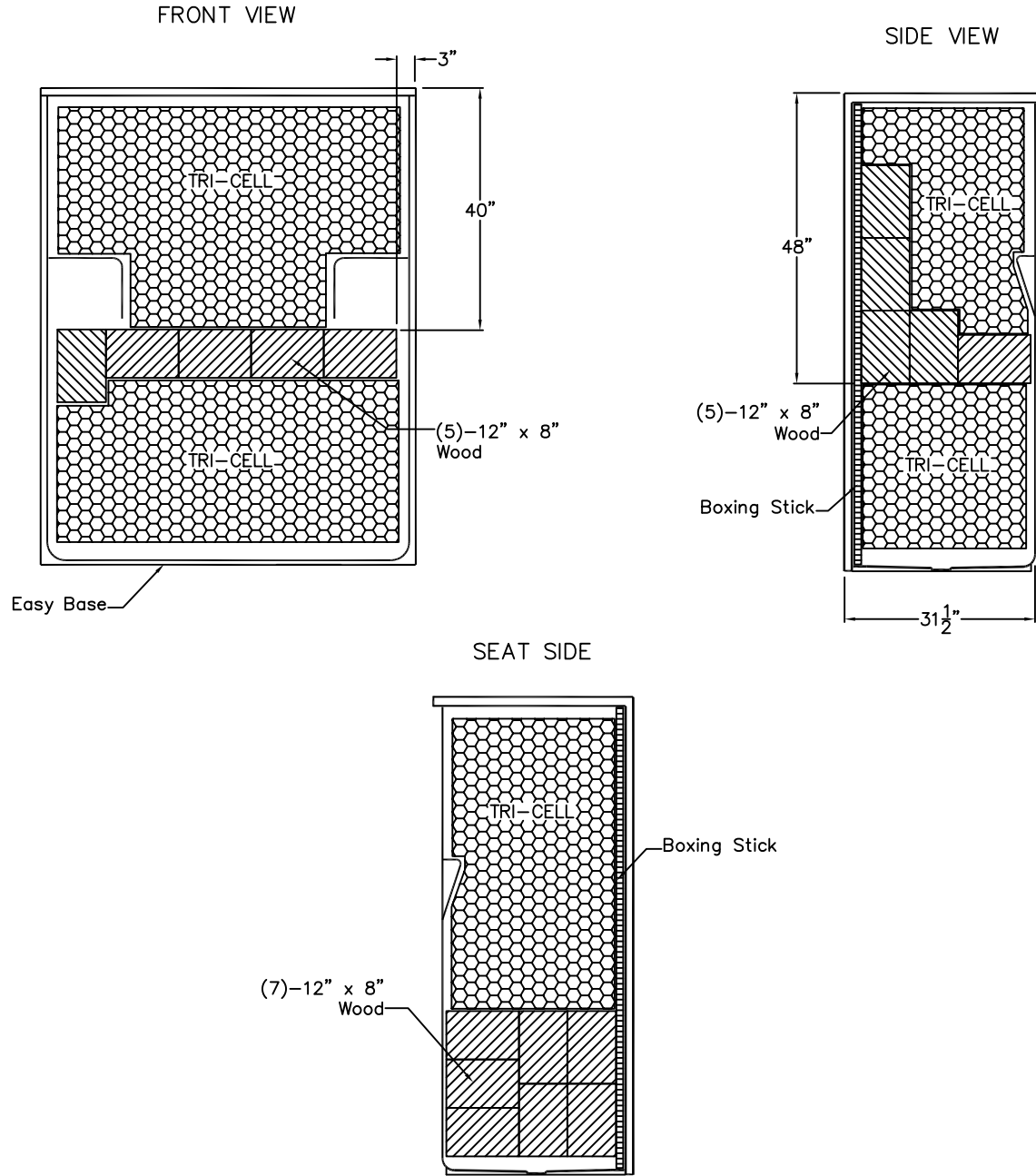
Rep.:

Wholesaler:

Quote No.:

LAUREL MOUNTAIN WHIRLPOOLS
2418 Wilmington Road Suite C New Castle Pa. 16105
1 (800) 930 0050 - FAX 1-(800) 930 0051

Board Placement SUBMITTAL DATA



Tri-Cell Coverage-37 Sq. Ft.

Job Name:	LAUREL MOUNTAIN WHIRLPOOLS
Model No.:	Drawing#: LM 6233 BF .75 HBW HSW BVB FHDP CR Easy Base-BP
Approved by:	Date Approved: Date: 4-17-98 Revised: 7-17-14
Rep.:	Wholesaler: Quote No.:

LAUREL MOUNTAIN WHIRLPOOLS
2418 Wilmington Road Suite C New Castle Pa. 16105
1 (800) 930 0050 - FAX 1-(800) 930 0051