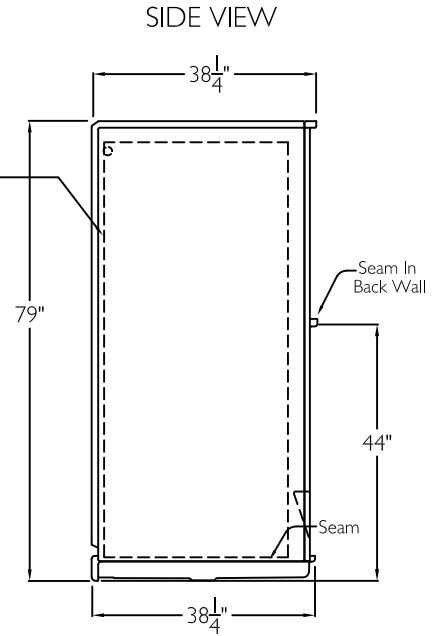
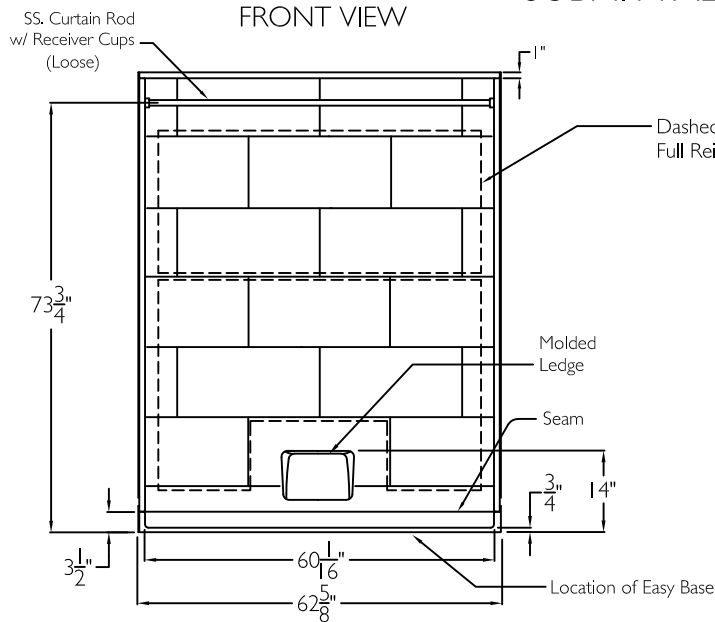


SUBMITTAL DATA



5 Piece Sectional Shower

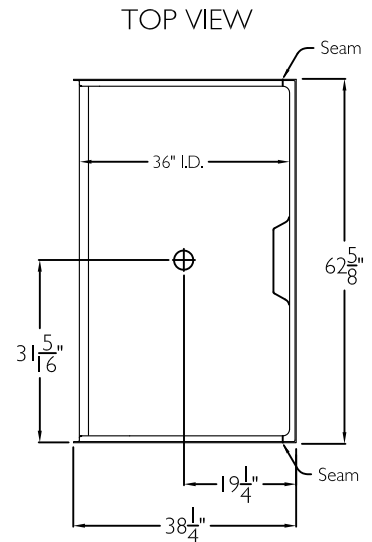
The sectional shower shall be model LM 6238 BF 5 Piece center drain. Finished surface shall be of a sanitary grade applied acrylic.

Unit has outside dimensions of : 62 5/8" x 38 1/4" x 79".
The five piece shower shall meet: CSA B45.5, IAPMOZ124, HUD, FHA, and Home Innovation Research Lab.

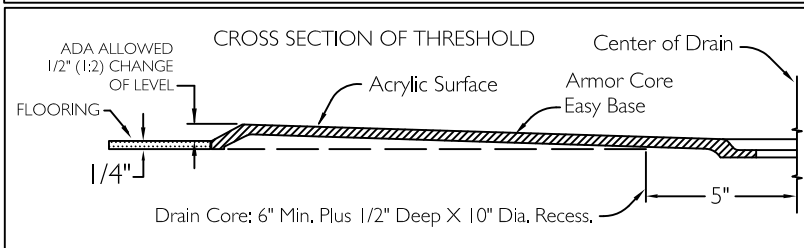
The enclosure shall be equipped with the following installed accessories:

- 1) Subway tile finish on walls,
- 2) Full reinforced backing on all walls,
- 3) 5 Piece sectional design,
- 4) Molded soap ledge low on the back wall,
- 5) Seam in the back wall,
- 6) Center drain location,
- 7) Factory installed Armor Core Easy Base,
- 8) Brass drain fitting,
- 9) Collapsible water retainer with end caps,
- 10) 3/4" Change of level threshold,
- 11) Stainless steel curtain rod with receiver cups,
- 12) Weighted shower curtain.

NOTE: UNIT SHIPPED UN-ASSEMBLED. (FIELD ASSEMBLY BY OTHERS).



DUE TO THE NATURE OF THE MATERIALS DIMENSIONS MAY VARY + - 1/2 INCH.



LAUREL MOUNTAIN

Drawing #: LM 6238 BF 5P .75" COL CR FWB Easy Base

Date: 11-13-15

Revised: 5-18-17

Sunbright

LAUREL MOUNTAIN

26 Nesbitt Road Suite 257 New Castle, Pa. 16105

Phone: 1 800 930 0050 Fax: 1 800 930 0051 Email: sales@lmbath.com