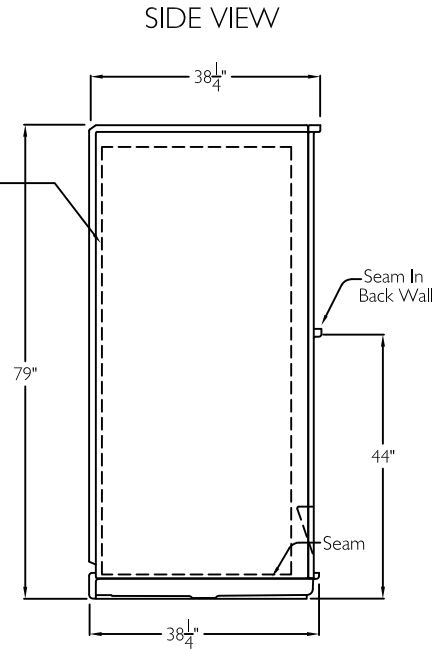
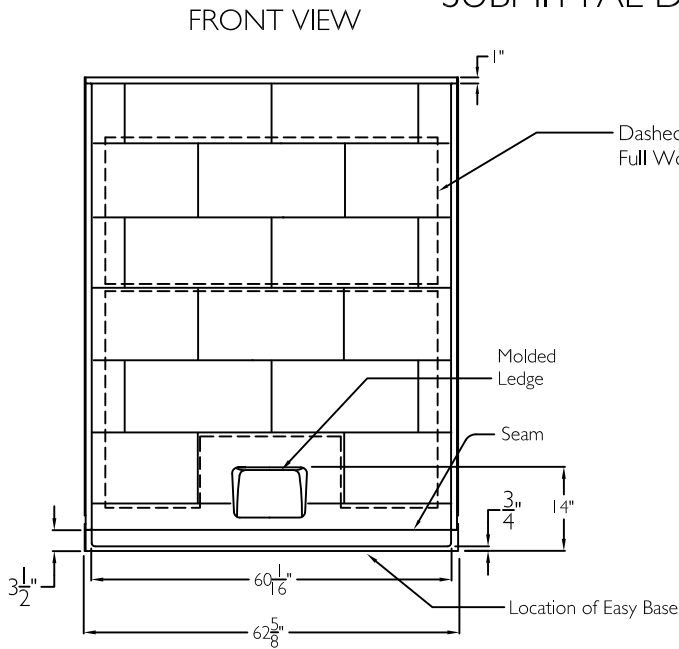


Comfort Series SUBMITTAL DATA



5Piece Sectional ADA Shower

The sectional shower shall be model LM 6238 BF 5 Piece center drain. Finished surface shall be of a sanitary grade polyester gelcoat, exhibiting a minimal thickness of 15 dry mils, and a finished cured Barcoal hardness of 80-90 as tested with ASTM D-2583.

Unit construction shall be of molded reinforced fiberglass with a minimum 15% fiberglass content.

Unit has outside dimensions of : 62 5/8" x 38 1/4" x 79".

The five piece shower shall meet: CSA B45.5, IAPMOZ124, HUD, FHA, Home Innovation Research Lab, and shall meet the requirements of the Southern Building Code.

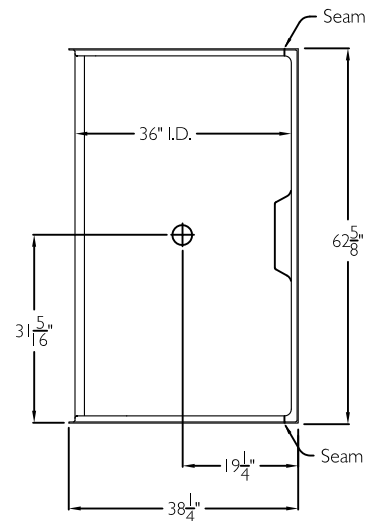
The enclosure shall be equipped with the following installed accessories:

- 1) Subway tile finish on walls,
- 2) Full wood backing on walls,
- 3) 5 Piece sectional design,
- 4) Molded soap ledge low on the back wall,
- 5) Seam in the back wall,
- 6) Center drain location,
- 7) Factory installed Easy Base self sustaining bottom,
- 8) Brass drain fitting,
- 9) Collapsible water retainer with end caps,
- 10) 3/4" Change of level threshold.

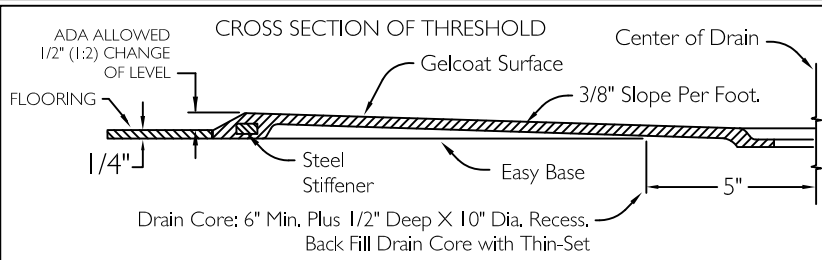
NOTE: SHOWER WILL COMPLY WITH ADA, AND ANSI A117.1 GUIDELINES ONLY IF HAND HELD SHOWER SET ALONG WITH U-GRAB BARS, OR L-GRAB BARS AND SEAT ARE INSTALLED.

NOTE: UNIT SHIPPED UN-ASSEMBLED. (FIELD ASSEMBLY BY OTHERS).

TOP VIEW



DUE TO THE NATURE OF THE MATERIALS
DIMENSIONS MAY VARY + - 1/2 INCH.



LAUREL MOUNTAIN

Drawing #: LM 6238 BF 5P .75" COL FWB Easy Base

Date: 11-13-15

Revised:

Sunbright

LAUREL MOUNTAIN

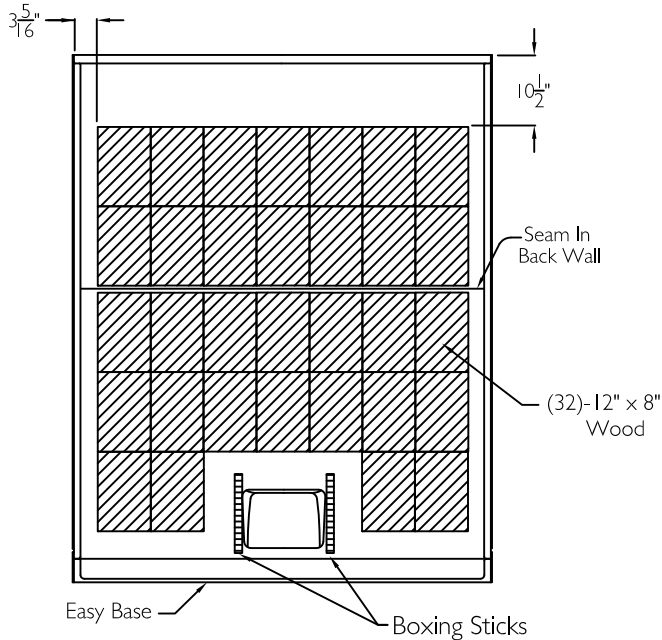
26 Nesbitt Road Suite 257 New Castle, Pa. 16105

Phone: 1 (800 930 0050 Fax: 1 800 930 0051 Email: sales@lmbath.com

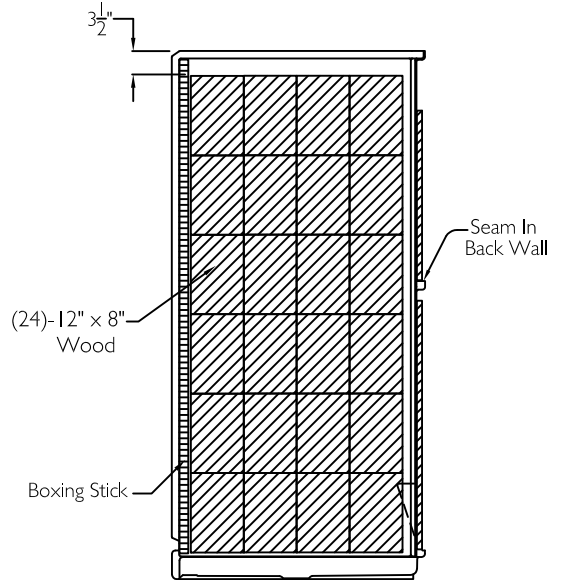
Board Placement Drawing

SUBMITTAL DATA

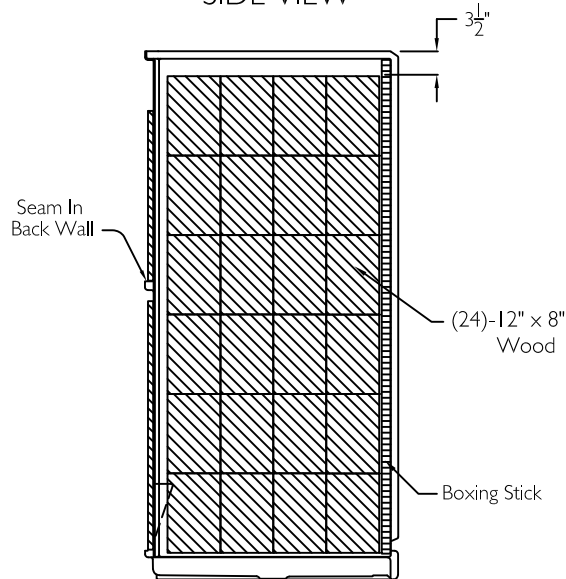
FRONT VIEW



SIDE VIEW



SIDE VIEW



DUE TO THE NATURE OF THE MATERIALS
DIMENSIONS MAY VARY + - 1/2 INCH.

LAUREL MOUNTAIN

Drawing #: LM 6238 BF 5P .75" COL FWB Easy Base

Date: 11-13-15

Revised:

Sunbright

LAUREL MOUNTAIN

26 Nesbitt Road Suite 257 New Castle, Pa. 16105

Phone: 1 (800) 930 0050 Fax: 1 800 930 0051 Email: sales@lmbath.com