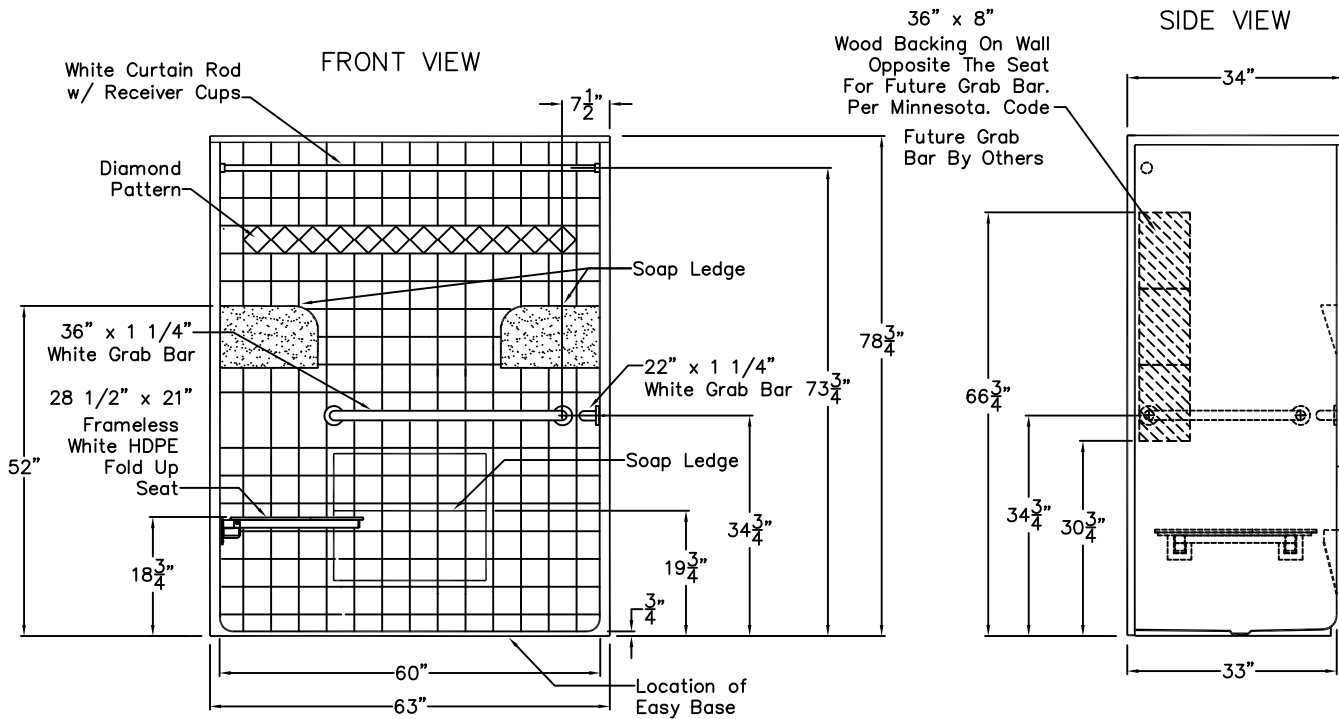


# Special Needs Series SUBMITTAL DATA



## Roll-In Shower Stall

The shower enclosure shall be Laurel Mountain Model LM 6334 BF Tile .75 center, right or left. Finished surface shall be of a sanitary-grade applied acrylic.

The unit shall have outside dimensions of 63" x 34" x 78 3/4".

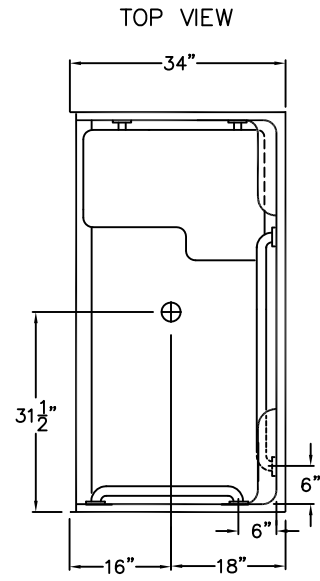
The unit shall meet ANSI A117.1, IAPMO Z124-11, ADA, BOCA, CSA B45.5-11, and Home Innovation Research Lab.

The enclosure shall be equipped with the following installed accessories:

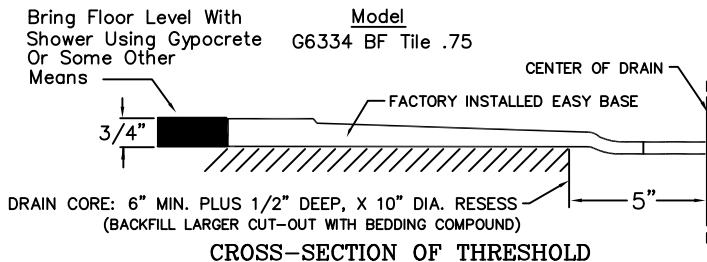
- 1) One 36" x 1 1/4" diameter 18 gauge white horizontal grab bar on the back wall,
- 2) One 22" x 1 1/4" diameter 18 gauge white horizontal grab bar on valve side wall, both with 1 1/2" statute clearance, mounted with stainless steel bolts and secured from the rear with 3" x 3" x 11 gauge metal mounting plates,
- 3) Molded leg ledge,
- 4) Molded corner soap dishes,
- 5) Tile finish,
- 6) One inch diameter 18 gauge white curtain rod with receiver cups,
- 7) 28 1/2" x 21" frameless white HDPE fold up seat,
- 8) Factory installed Easy Base self sustaining bottom,
- 9) Wood backing on the side wall opposite the seat for future vertical grab bar (bar by others),
- 10) Tri-cell backing on all walls,
- 11) 3/4" threshold.

THIS UNIT FEATURES THE OUTSIDE DIMENSIONS OF 63" OF OVERALL WIDTH. THIS DOES NOT ALLOW FOR FULL ENCLOSURE OF THE BOLTS THAT ARE USED TO SECURE THE BARS AND SEAT IN PLACE. THE BOLT AND NUT COMBINATION SHOULD NOT PROTRUDE ANY MORE THAN 3/4" ON EITHER SIDE. THIS SHOULD NOT CREATE ANY TYPE OF INSTALLATION PROBLEMS EXCEPT FOR A DRY WALL ENCLOSED FIRE WALL INSTALLATION AREA THAT WOULD NOT ALLOW FOR ANY VARIATIONS. IN A STANDARD STUD/OPENING INSTALLATION THE EXTENSION OF THE HARDWARE SHOULD NOT CAUSE ANY TYPE OF PROBLEM.

NOTE: THIS UNIT WILL NOT ACCEPT A DOOR!



DUE TO THE NATURE OF THE MATERIALS DIMENSIONS MAY VARY ± 1/2"



### LAUREL MOUNTAIN

Drawing#: LM 6334 BF Tile .75 WHBW WSW  
BVB FHDP CR Easy Base

Date: 6-22-07.

Revised: 12-16-16