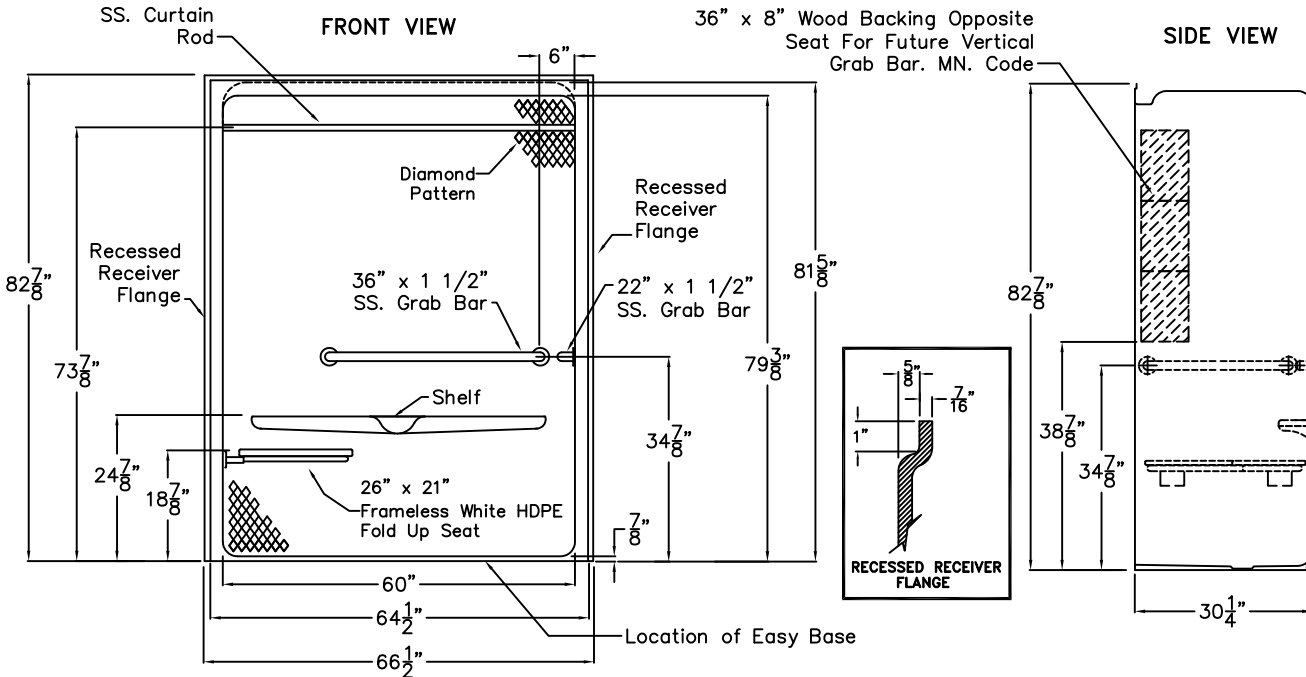


Special Needs Series

SUBMITTAL DATA



Roll-In Shower Stall

This shower enclosure shall be Laurel Mountain Whirlpools Model LM 6430 BF molded acrylic. The unit shall be molded from a single sheet of acrylic so as not to have any seams or joints. It shall meet ANSI A117.1, IAPMOZ124-2011, ADA, FHA, BOCA, Home Innovation Research Lab, CSA B45.5-11, shall have the backside fire rating of "A" and a flame spread of less than 25, shall be designed to meet the requirements of most state and national standards on design for the disabled, including the Southern Building Code. The unit shall have inside dimensions of 60" x 30" x 80 1/2", and the outside dimensions of 66 1/2" x 30 1/4" x 82 3/4".

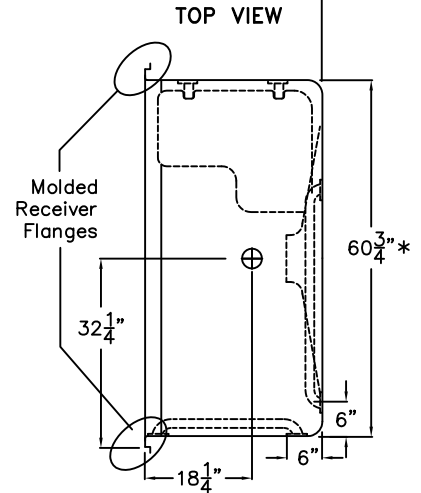
The enclosure shall be equipped with the following factory installed accessories:

- 1) one 36" x 1 1/2" diameter 18 gauge stainless steel grab bar on the back wall,
- 2) one 22" x 1 1/2" diameter 18 gauge stainless steel grab bar on the side wall, with 1 1/2" statute clearance mounted with stainless steel bolts secured from the rear with 3" x 3" 11 gauge metal backing plates,
- 3) one inch diameter stainless steel curtain rod,
- 4) factory installed 26" x 21" frameless HDPE fold up seat,
- 5) Diamond pattern on the back wall,
- 6) Recessed drywall receiver flange on both sides and along the top,
- 7) one inch diameter, 18 gauge stainless steel curtain rod,
- 8) Wood backing on side opposite the seat for future 24" vertical grab bar per per Minnesota code (Bar By Others),
- 9) Factory installed Easy Base self sustaining bottom,
- 10) 7/8" threshold.

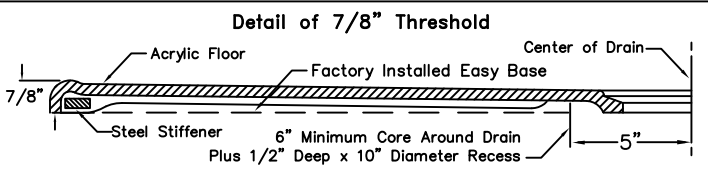
Available options: 1) hand held shower set includes: Valve, hand set with swivel connector, 60" flex hose, 30" slide bar, vacuum breaker and shower wall outlet, 2) green anti-bacterial shower curtain with hooks, 3) white shower curtain with hooks, THIS UNIT FEATURES THE OUTSIDE DIMENSIONS OF 60 3/4" OF OVERALL WIDTH. THIS DOES NOT ALLOW FOR FULL ENCLOSURE OF THE BOLTS THAT ARE USED TO SECURE THE BARS AND SEAT IN PLACE. THE BOLT AND NUT COMBINATION SHOULD NOT PROTRUDE ANY MORE THAN 3/4" ON EITHER SIDE OF THE SHOWER WALLS. THIS MAY REQUIRE THE NEED TO NOTCH STUDS TO ALLOW BOLT CLEARANCE FOR INSTALLATION.

FOR A DRY WALL ENCLOSED FIRE WALL INSTALLATION, ADJUSTMENT OF THE WALLBOARD MAY BE NECESSARY TO PROVIDE CLEARANCE OF THE BOLT (S) WHILE MAINTAINING THE INTEGRITY OF THE DRYWALL ENCLOSED FIRE WALL ENCLOSURE.

NOTE: THIS UNIT WILL NOT ACCEPT A DOOR!



DUE TO THE NATURE OF THE MATERIALS INVOLVED, UNIT DIMENSIONS MAY VARY ± 1/2 INCH.



ROUGH IN DIMENSIONS: 64 1/2" x 30 1/4" x 82 7/8".
 * NOTE: THIS DIMENSION IS NOT TO SCALE. THIS DIMENSION INCLUDES NUTS/BOLTS/ WOOD AND HARDWARE REQUIRED FOR ASSEMBLY.

LAUREL MOUNTAIN WHIRLPOOLS

Approved By Print Name:

Drawing#: LM 6430 BF .875 HBW HSW BVB
 FHDP CR RRF Easy Base

Approved By Signature:

Date Approved:

Date: 5-28-07

Revised: 7-17-14

Rep.:

Wholesaler:

Quote No.:

LAUREL MOUNTAIN WHIRLPOOLS
 2418 Wilmington Road Suite C New Castle Pa. 16105
 1 (800) 930 0050 - FAX 1-(800) 930 0051