

BATHCRAFT

BATHING EXCELLENCE CREATED BY CRAFTSMEN

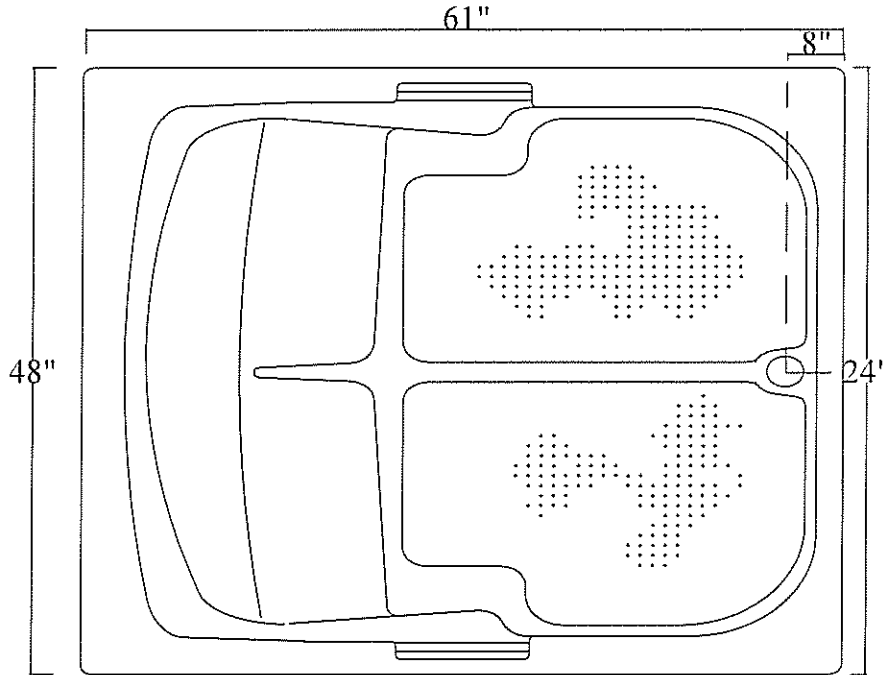
Non Jetted

MODELS

Jetted

A6148

A6148-00W4R/A6148SR-00W4L

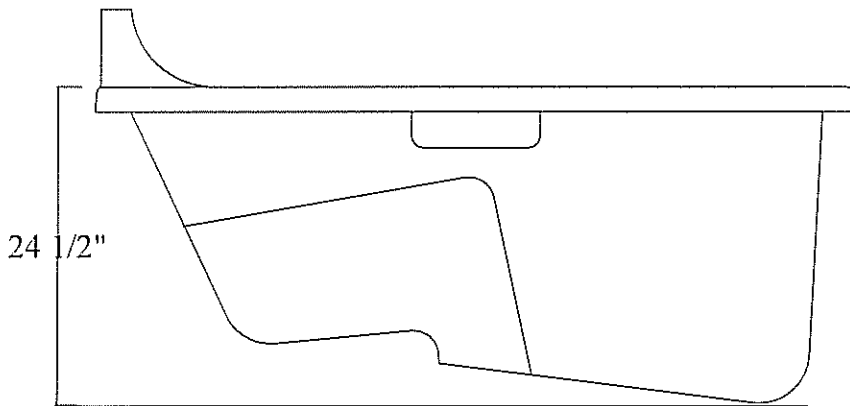


WIDTH O. D. 61"

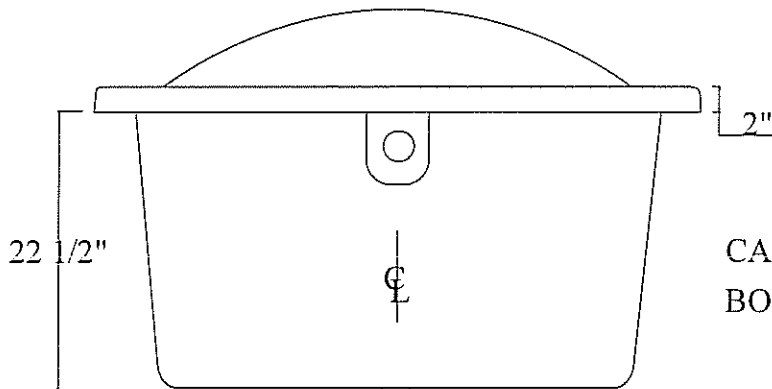
DEPTH O.D. 48"

HEIGHT O.D. 24"

DIMENSION TOLERANCE +/- 1/4"



BathCraft employs independent testing to certify that products meet the requirements of ANSI Z124.1 or ANSI Z124.2 and FHA/HUD - UM - 73a.



CAPACITY TO OVERFLOW 128 Gal

BOTTOM SUMP DIMENSION 45" X 31"

1610 James P. Rodgers Drive, Valdosta, Georgia 31601, (912) 333-0808