

BATHCRAFT

BATHING EXCELLENCE CREATED BY CRAFTSMEN

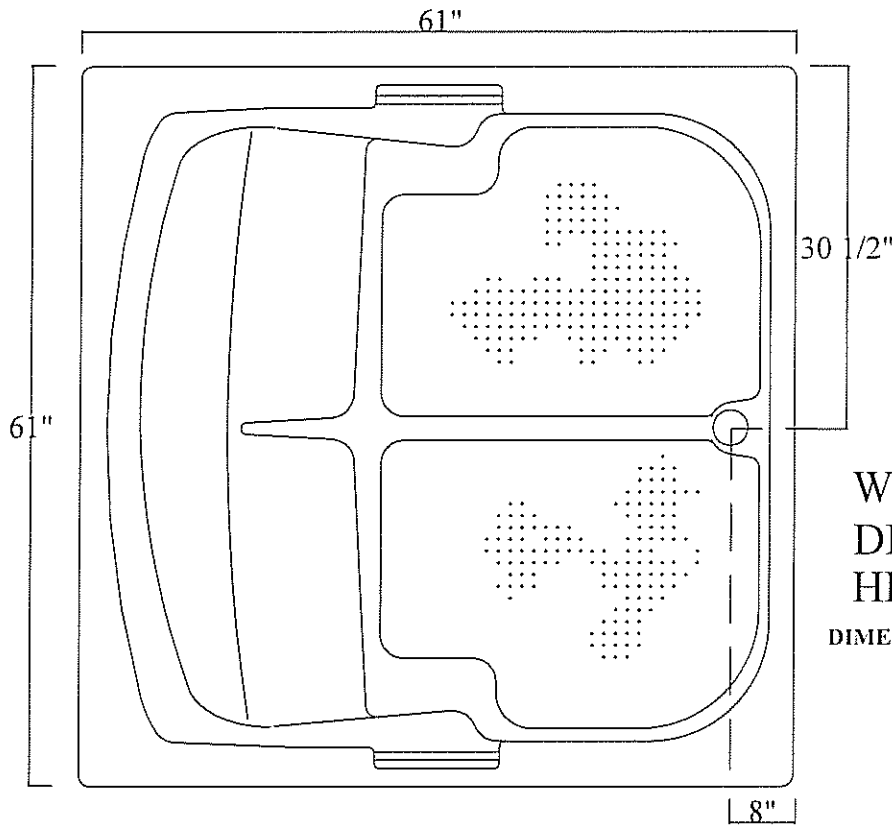
MODELS

Non Jetted

Jetted

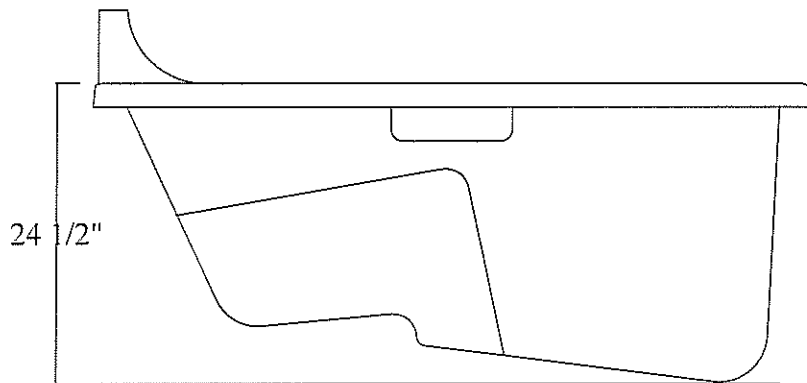
A6161

A6161-00W4R/A6032SR-00W4L



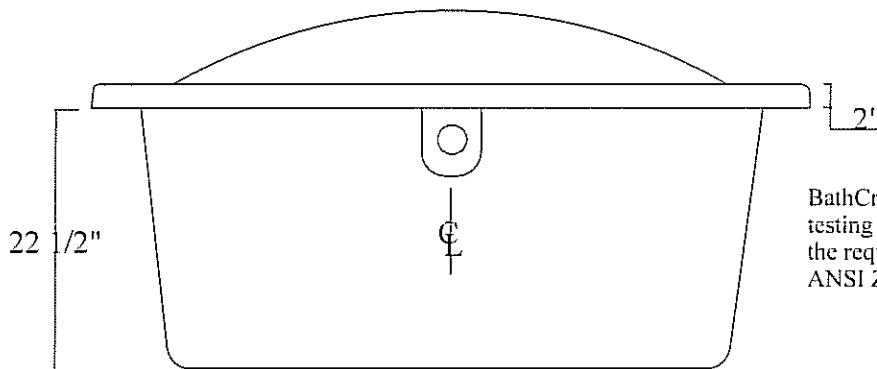
WIDTH O. D. 61"
DEPTH O.D. 61"
HEIGHT O.D. 24"

DIMENSION TOLERANCE +/- 1/4"



CAPACITY TO OVERFLOW
172 Gal.

BOTTOM SUMP DIMENSION
45" Long X 45" wide



BathCraft employs independent testing to certify that products meet the requirements of ANSI Z124.1 or ANSI Z124.2 and FHA/HUD - UM - 73a.

1610 James P. Rodgers Drive, Valdosta, Georgia 31601, (912) 333-0808