

LARGE II PLUS

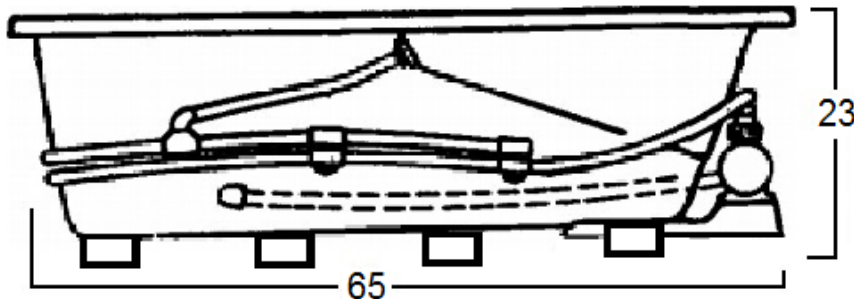
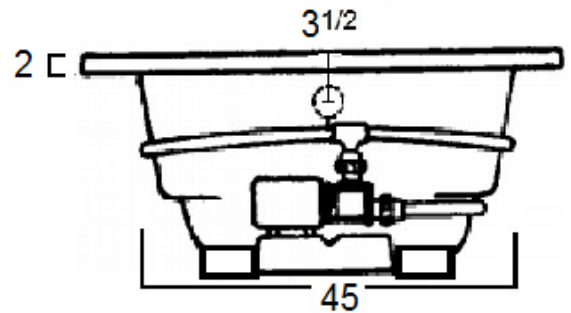
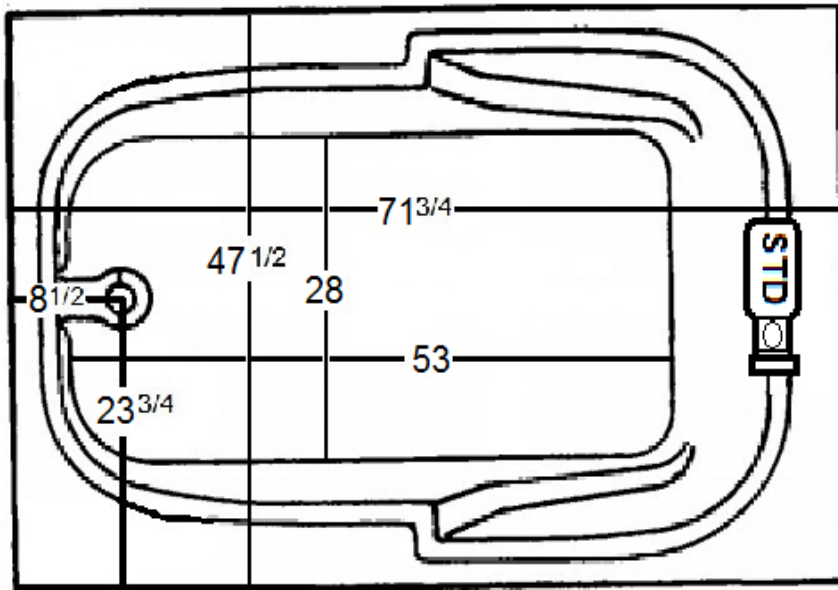
LARGE II PLUS	WHIRLPOOL	4872LPW
LARGE II PLUS	AIR BATH	4872LPA
LARGE II PLUS	COMBO BATH	4872LPWA
LARGE II PLUS	TUB ONLY	4872LPT

INSTALLATION NOTES: Install this fixture according to the installation manual. Confirm specifications before starting installation.

ELECTRICAL REQUIREMENTS:
Whirlpool pump/motor- 120V, 20A, 60HZ,
Air Blower/Heater- 120V, 20A, 60HZ
Dedicated GFCI required

SPECIFICATIONS	WHIRLPOOL AIR/COMBO	SOAKER
<u>71 3/4" x 47 1/2" x 23"</u>		
Water Capacity - Operating Level	90.0 gal	
- To Overflow	108.0 gal	108.0 gal
Approx. Unit Weight	220 lbs.	180 lbs.
Water Depth to Overflow	17.25	17.25

All dimensions are +/- 1/4" and subject to change without notice.



Website: www.laurelmountainwhirlpools.com
Email: sales@laurelmountainwhirlpools.com
Phone: 800-930-0050
Fax: 800-930-0051

Manufacturing Facility
1610 James P. Rodgers Drive
Valdosta, GA 31601

Sales/Customer Service
26 Nesbitt Rd. Suite 257
New Castle, PA 16105