

LAUREL MOUNTAIN WHIRLPOOLS

# LEAH

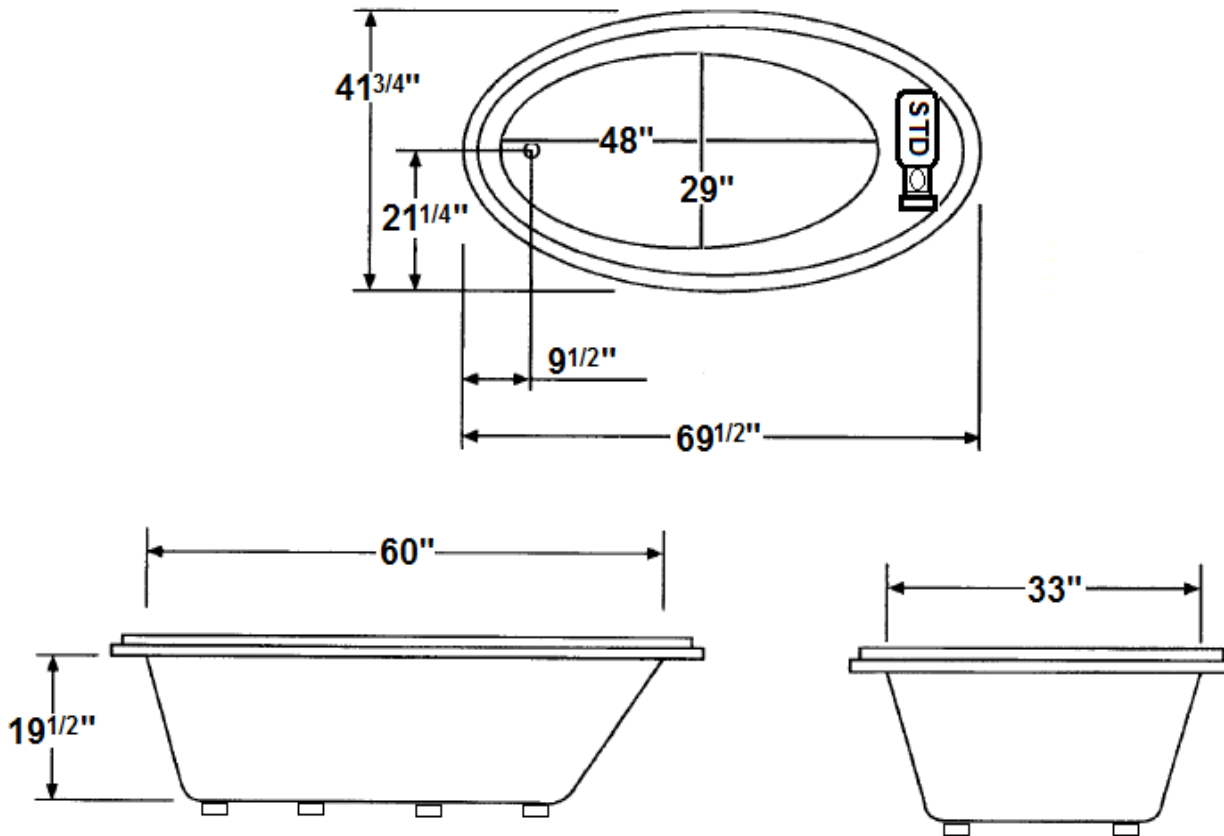
LEAH	WHIRLPOOL	4270LW
LEAH	AIR BATH	4270LTA
LEAH	COMBO BATH	4270LWA
LEAH	TUB ONLY	4270LT

**INSTALLATION NOTES:** Install this fixture according to the installation manual. Confirm specifications before starting installation.

**ELECTRICAL REQUIREMENTS:**  
Whirlpool pump/motor- 120V, 20A, 60HZ,  
Air Blower/Heater- 120V, 20A, 60HZ  
Dedicated GFCI required

SPECIFICATIONS	WHIRLPOOL AIR/COMBO	SOAKER
$69\frac{1}{2}'' \times 41\frac{3}{4}'' \times 21\frac{1}{2}''$		
Water Capacity - Operating Level	47.0 gal	
- To Overflow	65.0 gal	65.0 gal
Approx. Unit Weight	100 lbs.	115 lbs.
Water Depth to Overflow	13.5	13.5

All dimensions are +/- 1/4" and subject to change without notice.



Website: [www.laurelmountainwhirlpools.com](http://www.laurelmountainwhirlpools.com)  
Email: [sales@laurelmountainwhirlpools.com](mailto:sales@laurelmountainwhirlpools.com)  
Phone: 800-930-0050  
Fax: 800-930-0051

Manufacturing Facility  
1610 James P. Rodgers Drive  
Valdosta, GA 31601

Sales/Customer Service  
26 Nesbitt Rd. Suite 257  
New Castle, PA 16105