

LAUREL MOUNTAIN WHIRLPOOLS

MERCER IV, V, VI, VIII

IV	MERCER IV	WHIRLPOOL	3260MWSR/SL
	MERCER IV	AIR BATH	3260MTASR/SL
	MERCER IV	COMBO BATH	3260MWASR/SL
	MERCER IV	TUB ONLY	3260MTSR/SL

V	MERCER V	WHIRLPOOL	3660MWSR/SL
	MERCER V	AIR BATH	3660MTASR/SL
	MERCER V	COMBO BATH	3660MWASR/SL
	MERCER V	TUB ONLY	3660MTSR/SL

VI	MERCER VI	WHIRLPOOL	3672MWSR/SL
	MERCER VI	AIR BATH	3672MTASR/SL
	MERCER VI	COMBO BATH	3672MWASR/SL
	MERCER VI	TUB ONLY	3672MTSR/SL

VIII	MERCER VIII	WHIRLPOOL	3666MWSR/SL
	MERCER VIII	AIR BATH	3666MTASR/SL
	MERCER VIII	COMBO BATH	3666MWASR/SL
	MERCER VIII	TUB ONLY	3666MTSR/SL

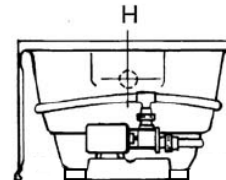
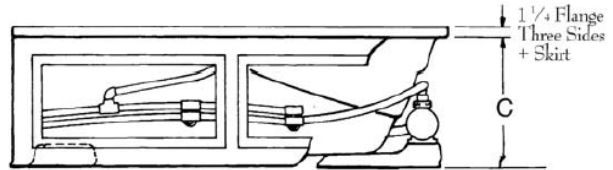
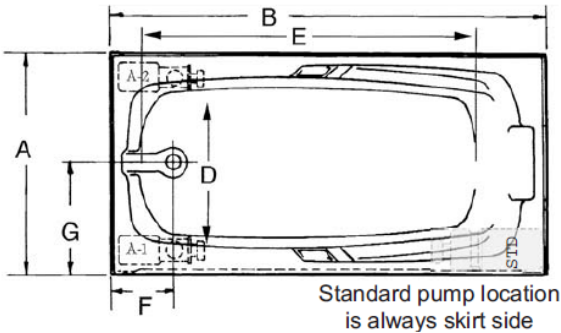
INSTALLATION NOTES: Install this fixture according to the installation manual. Confirm specifications before starting installation.

ELECTRICAL REQUIREMENTS: Whirlpool pump/motor 120V, 20A, 60HZ, Air Blower/Heater 120V, 20A, 60HZ. Dedicated GFCI required.

All dimensions are +/- 1/4" and subject to change without notice.

All models shown have an integral skirt and integral up flange.

Access panels on the skirt are provided for all tubs with pumps, blowers, and heaters.



MODEL #	A	B	C	D	E	F	G	H
3260	32	59 3/4	21 1/2	16	37	9 1/2	16	5 1/2
3660	36	59 3/4	21 1/2	19	37	10	18	5 1/2
3672	36	71 3/4	21 1/2	19	50	10	18	5 1/2
3666	36	65 7/8	21 1/2	19	44	10	18	5 1/2

MODEL #	WATER CAPACITY OPERATING LEVEL	WATER CAPACITY TO OVERFLOW	WATER DEPTH TO OVERFLOW	APPROX. UNIT WT.
3260 WHIRL/AIR/COMBO	41 gal.	54 gal.	16 3/4	120 lbs.
3260 SOAKER	-	54 gal.	16 3/4	85 lbs.
3660 WHIRL/AIR/COMBO	44 gal.	58 gal.	16 1/2	135 lbs.
3660 SOAKER	-	58 gal.	16 1/2	100 lbs.
3672 WHIRL/AIR/COMBO	51 gal.	71 gal.	16 1/2	145 lbs.
3672 SOAKER	-	71 gal.	16 1/2	110 lbs.
3666 WHIRL/AIR/COMBO	47 gal.	64 gal.	15	155 lbs.
3666 SOAKER	-	64 gal.	15	120 lbs.



Website: www.laurelmountainwhirlpools.com
 Email: sales@laurelmountainwhirlpools.com
 Phone: 800-930-0050
 Fax: 800-930-0051

Manufacturing Facility
 1610 James P. Rodgers Drive
 Valdosta, GA 31601

Sales/Customer Service
 2418 Wilmington Road, Suite C
 New Castle, PA 16105