



MERCER IV

60" x 32" Skirted Acrylic Soaker

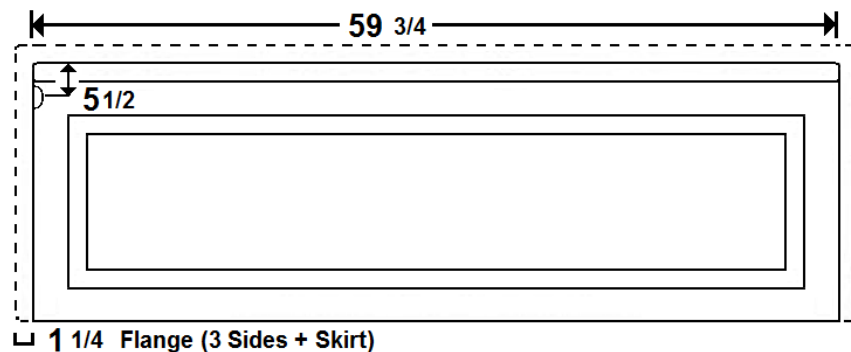
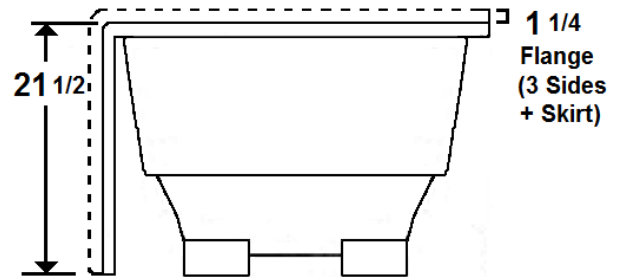
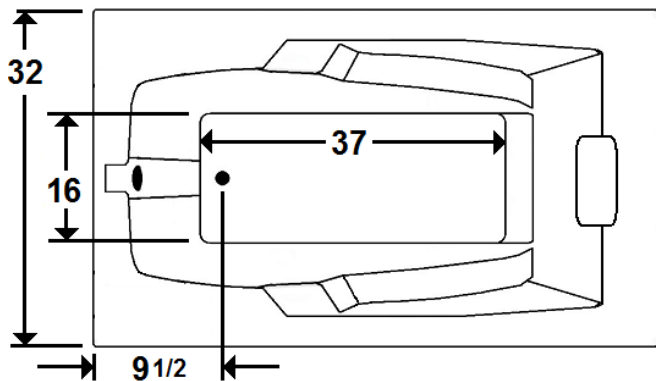
Model Number
3260MTR064
Right Hand Drain Soaker in White
3260MTSL064
Left Hand Drain Soaker in White

Features

- Constructed of high-gloss durable acrylic
- Pillow included
- Pre-leveled base for easy installation
- Textured floor
- Heater available – LM305 & LM306
- Mood light available – LM522
- Made in the USA



All dimensions are +/- 1/4" and subject to change without notice
Confirm specifications before installation



Technical Information

- Weight: 85 lbs.
- Water Depth to Overflow: 16 3/4"
- Water Capacity: 54 gal.
- Sump Dimension: 37" x 16"

Electrical Requirements.

- (Optional) LM305 Heater: 12.5 Amps (120V)
- (Optional) LM306 Heater: 16.0 Amps (240V)
- (Optional) LM509 Back Massage: 7.5 Amps
- Dedicated GFCI's required for each option

MERCER IV

3260MTSR064

Right Hand Drain Soaker in White

3260MTSL064

Left Hand Drain Soaker in White

Acrylic Tub

This Traditional style drop in tub includes a sloped backrest, integral arm rests and removable pillow. Other standard features include a textured floor, and premium reinforcement. This tub is made in the USA and is available in white, bone, biscuit, almond, and linen.

Laurel Mountain enables you to enhance your bathing experience by offering a broad range of options to customize your bath. The options available on this bath are shown below.

AVAILABLE OPTIONS & UPGRADES

For Pricing, visit the “Help” page at www.laurelmountainwhirlpools.com. Download the Price book. For pictures and descriptions of options, go to www.laurelmountainwhirlpools.com and click “options” tab found at the bottom of the website.

Therapeutic

LM305 12.5 Amp Water Heater (120V)	BACK MASSAGE SYSTEM	LM509 White
LM306 16 Amp Water Heater (240V)	LM505 Chrome	LM510 Biscuit
LM522 Chromatherapy	LM506 Brushed Nickel	LM511 Almond
	LM507 Bronze	LM512 Linen
	LM508 Polished Brass	LM513 Bone

Accessories

DEEP SOAK DRAIN	LM210 White	8” GRAB BARS
LM200 Chrome	LM211 Biscuit	LM230 White
LM201 Brushed Nickel	LM212 Almond	LM231 Biscuit
LM202 Bronze	LM213 Linen	LM232 Almond
LM203 Polished Brass	LM214 Bone	LM233 Linen
		LM234 Bone

Design / Construction

LM537 Bariatric/Heavy Duty

INSTALLATION

Install this unit according to the Owner’s Manual. The Owner’s manual can be found by visiting the “Help” page at www.laurelmountainwhirlpools.com. Under “Relevant Links” on the left side of the page, click “Owner’s Manual”. Then click “Colony Owner’s Manual”.