



MERCER IV

60" x 32" Skirted Acrylic Whirlpool

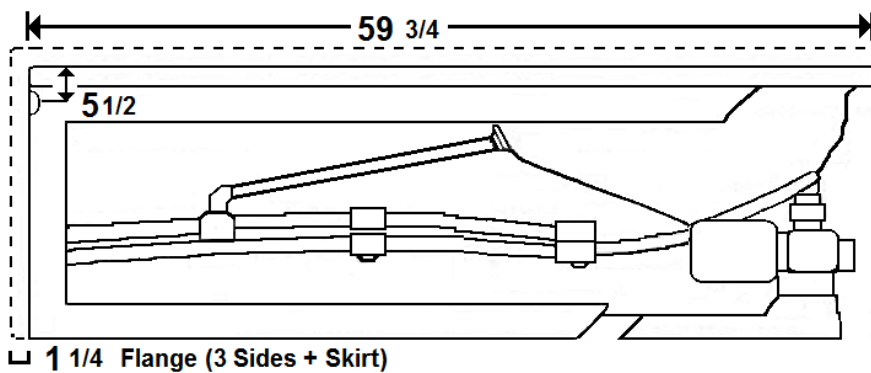
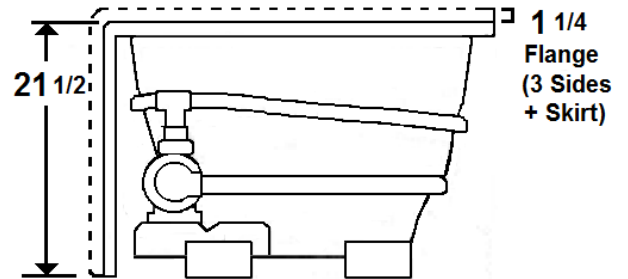
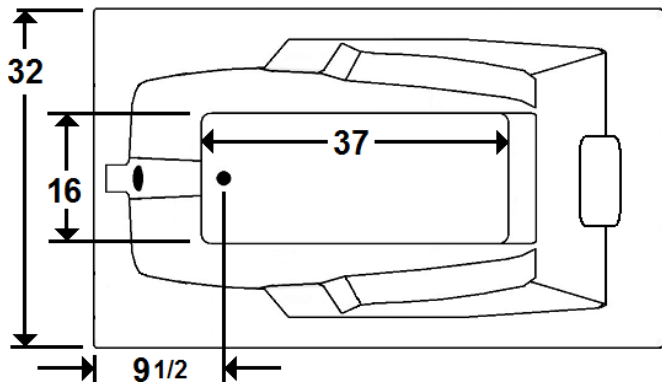
Model Number
3260MWSR064
 Right Hand Drain Whirlpool in White
3260MWSL064
 Left Hand Drain Whirlpool in White

Features

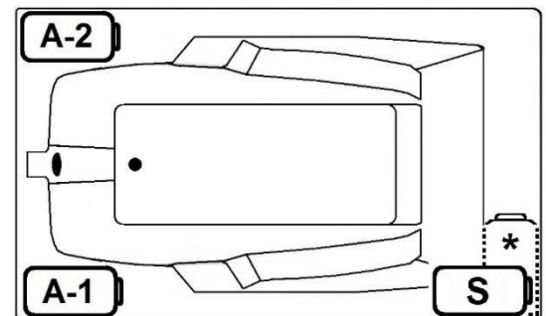
- Color-matched jet trim
- 8 adjustable hydrotherapy jets
- Pillow included
- Constructed of high-gloss durable acrylic
- 3-Speed control for the 9.0 Amp pump
- Inline heater available – LM300
- Mood light available – LM522
- Pre-leveled base for easy installation
- Made in the USA



All dimensions are +/- 1/4" and subject to change without notice
Confirm specification before installation



Standard (S) Pump Location and Alternate (A-1 & A-2) Pump locations.
 * Pump location if Heater ordered.



Technical Information

- Weight: 120 lbs.
- Water Depth to Overflow: 16 3/4"
- Water Operating Level: 41 gal.
- Water Capacity: 54 gal.
- Sump Dimension: 37" x 16"

Electrical Requirements.

- Standard Pump: 9.0 Amps
- (Optional) LM501 Pump Upgrade: 13.5 Amps
- (Optional) LM300 Heater: 12.0 Amps
- (Optional) LM509 Back Massage: 7.5 Amps
- (Optional) LM335 Ozonator: 1 Amp
- Dedicated GFCI's required for each option.

MERCER IV

3260MWSR064

Right Hand Drain Whirlpool in White

3260MWSL064

Left Hand Drain Whirlpool in White

Whirlpool

Experience a powerful, deep tissue therapeutic massage, which will soothe muscles & joints while releasing tension. Our eight standard, high performance jets will promote increased blood flow, improved flexibility and help reduce accumulated toxins.

Laurel Mountain enables you to enhance your bathing experience by offering a broad range of options to customize your bath. The options available on this bath are shown below.

AVAILABLE OPTIONS & UPGRADES

For Pricing, visit the "Help" page at www.laurelmountainwhirlpools.com. Download the Price book. For pictures and descriptions of options, go to www.laurelmountainwhirlpools.com and click "options" tab found at the bottom of the website.

Therapeutic

LM300 Inline Heater	BACK MASSAGE SYSTEM	LM509 White
LM522 Chromatherapy	LM505 Chrome	LM510 Biscuit
LM500 Lumbar Jets	LM506 Brushed Nickel	LM511 Almond
LM501 Lumbar Jet Package	LM507 Bronze	LM512 Linen
LM515 Neck Massage Pillow	LM508 Polished Brass	LM513 Bone

Accessories

TRIM KITS	DEEP SOAK DRAIN	8" GRAB BARS
LM101 Chrome	LM200 Chrome	LM230 White
LM102 Brushed Nickel	LM201 Brushed Nickel	LM231 Biscuit
LM103 Bronze	LM202 Bronze	LM232 Almond
LM104 Polished Brass	LM203 Polished Brass	LM233 Linen
	LM210 White	LM234 Bone
LM321 Electronic Control, Timer, & Variable Speed Pump	LM211 Biscuit	LM335 Ozonator (Sanitizing System)
	LM212 Almond	
	LM213 Linen	
	LM214 Bone	

Design / Construction

LM537 Bariatric/Heavy Duty	LM546 A-2 Pump Loc
LM545 A-1 Pump Loc	

INSTALLATION

Install this unit according to the Owner's Manual. The Owner's manual can be found by visiting the "Help" page at www.laurelmountainwhirlpools.com. Under "Relevant Links" on the left side of the page, click "Owner's Manual". Then click "Colony Owner's Manual".