



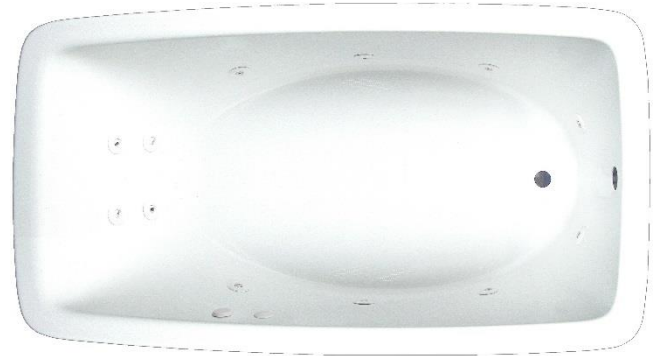
MONETA 2

66" x 36" Drop-In Acrylic Whirlpool

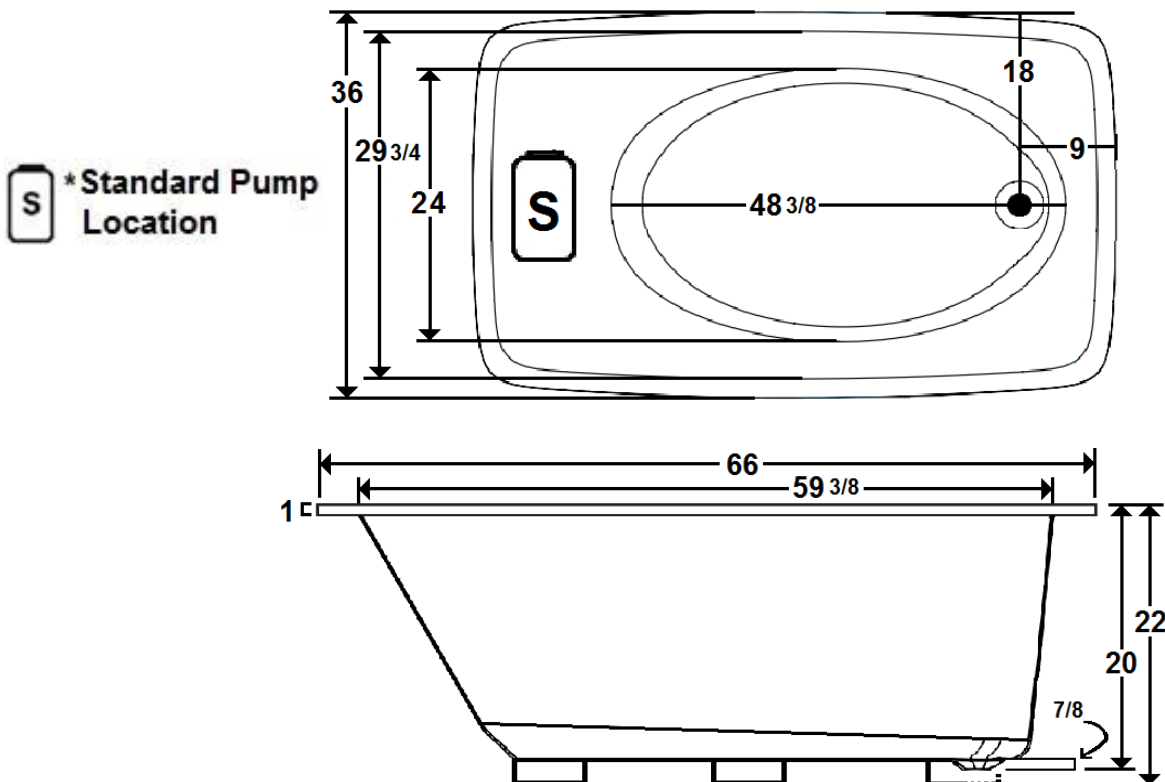
Model Number
6636MW064
Drop-In Whirlpool in White

Features

- Color-matched jet trim
- 10 adjustable hydrotherapy jets
- Constructed of high-gloss durable acrylic
- 3-Speed control for the 13 Amp pump
- Inline heater available – LM300
- Mood light available – LM522
- Pre-leveled base for easy installation
- Made in the USA



All dimensions are +/- 1/2" and subject to change without notice



S *Standard Pump
Location

Technical Information

- Weight: 134 lbs.
- Water Depth to Overflow: 16 1/4"
- Water Operating Level:
- Water Capacity: 83 gal.
- Sump Dimension: 48 3/8" x 24"

Electrical Requirements

- Standard Pump: 13 Amps
- (Optional) LM300 Heater: 12 Amps
- Dedicated GFCI's required for each

MONETA 2

6636MW064

Drop-In Whirlpool in White

Whirlpool

Experience a powerful, deep tissue therapeutic massage, which will soothe muscles & joints while releasing tension. Our eight standard, high performance jets will promote increased blood flow, improved flexibility and help reduce accumulated toxins.

Laurel Mountain enables you to enhance your bathing experience by offering a broad range of options to customize your bath. The options available on this bath are shown below.

AVAILABLE OPTIONS & UPGRADES

For Pricing, visit the “Help” page at www.laurelmountainwhirlpools.com. Download the Price book. For pictures and descriptions of options, go to www.laurelmountainwhirlpools.com and click “options” tab found at the bottom of the website.

Therapeutic

LM300 Inline Heater

LM522 Chromatherapy

Accessories

WHIRLPOOL TRIM KITS

LM101 Chrome

LM102 Brushed Nickel

LM103 Bronze

CABLE OPERATED DRAINS

LM200 Chrome

LM201 Brushed Nickel

LM202 Bronze

LM210 White

LM211 Biscuit

LM335 Ozonator

(Sanitizing System)

INSTALLATION

Install this unit according to the Owner’s Manual. The Owner’s manual can be found by visiting the “Help” page at www.laurelmountainwhirlpools.com. Select “Installation” on the right side of the page. Then click on the “Colony Owner’s Manual”.