

Laurel Mountain Whirlpools

Nelson

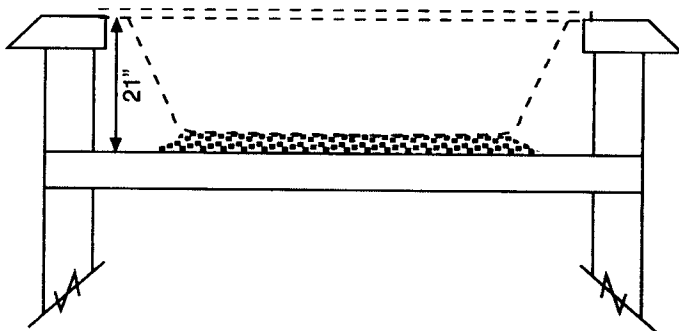
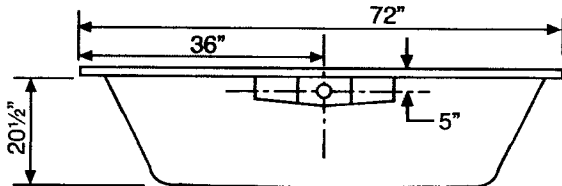
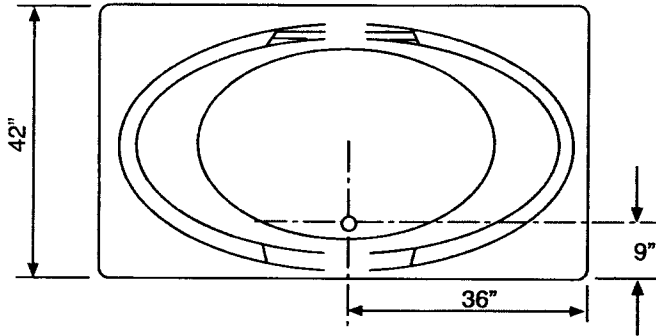
MODELS

Whirlpool
4272NW

Air Tub
4272NTA

Combo Tub
4272NWA

Tub Only
4272NT



COLOR CODE

White- 064
Biscuit- 528
Almond- 391
Bone- 345
Linen- 658

WHIRLPOOL SPECS	QTY.
PUMP-MOUNTED	1
COLOR-COORD, PVC JETS	6
COLOR-COORD, PVC SUCTION COVER	1
COLOR-COORD, AIR SWITCH	1
COLOR-COORD, AIR CONTROL	2

WIDTH O.D.	72"
DEPTH O.D.	42"
HEIGHT O.D.	21 1/2"
CAPACITY TO OVERFLOW	83 GAL.
FILLED WEIGHT	780 LBS.
SHIPPING WEIGHT	115 LBS.
BOTTOM SUMP DIMENSION	46" x 28"
Measurement may vary	± 1/4"

The company employs independent testing to certify that products meet the requirements of ANSI Z124.1 or ANSI Z124.2 and FHA/HUD - UM-73a.