

LAUREL MOUNTAIN WHIRLPOOLS

OAKMONT I & II

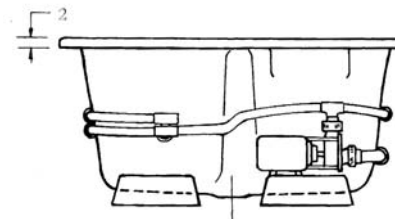
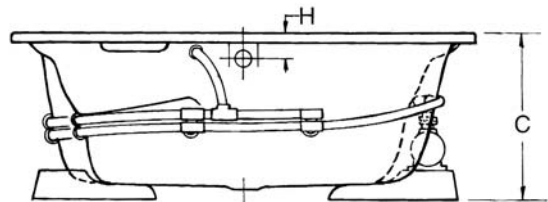
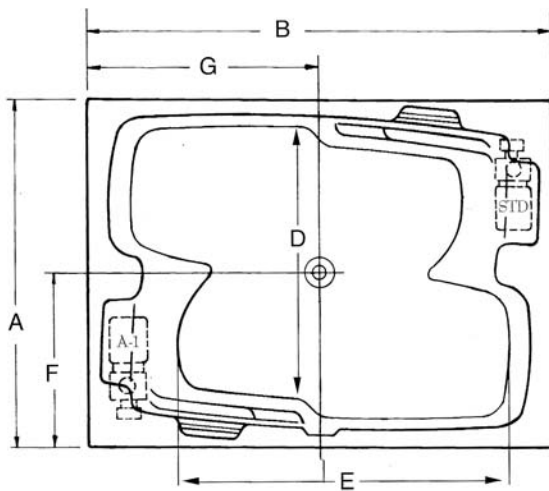
- I** OAKMONT I WHIRLPOOL 4872OW
 OAKMONT I AIR BATH 4872OTA
 OAKMONT I COMBO BATH 4872OWA
 OAKMONT I TUB ONLY 4872OT
- II** OAKMONT II WHIRLPOOL 5472OW
 OAKMONT II AIR BATH 5472OTA
 OAKMONT II COMBO BATH 5472OWA
 OAKMONT II TUB ONLY 5472OT

INSTALLATION NOTES: Install this fixture according to the installation manual. Confirm specifications before starting installation.

ELECTRICAL REQUIREMENTS: Whirlpool pump/motor 120V, 20A, 60HZ, Air Blower/Heater 120V, 20A, 60HZ. Dedicated GFCI required.

All dimensions are +/- 1/4" and subject to change without notice.

Available with an optional attachable skirt with removable access panel.



MODEL #	A	B	C	D	E	F	G	H
4872	48	72	26	30	42	24	36	5 1/2
5472	53 5/8	71 5/8	26	40	42	26 3/4	35 3/4	5 1/2

MODEL #	WATER CAPACITY OPERATING LEVEL	WATER CAPACITY TO OVERFLOW	WATER DEPTH TO OVERFLOW	APPROX. UNIT WT.
4872 WHIRL/AIR/COMBO	70 gal	127 gal	16 1/4	205 lbs.
4872 SOAKER	-	127 gal	16 1/4	170 lbs.
5472 WHIRL/AIR/COMBO	80 gal.	140 gal	16	218 lbs.
5472 SOAKER	-	140 gal	16	183 lbs.



Website: www.laurelmountainwhirlpools.com
 Email: sales@laurelmountainwhirlpools.com
 Phone: 800-930-0050
 Fax: 800-930-0051

Manufacturing Facility
 1610 James P. Rodgers Drive
 Valdosta, GA 31601

Sales/Customer Service
 2418 Wilmington Road, Suite C
 New Castle, PA 16105