



PARKER 20

60" x 30" Skirted Acrylic Tub

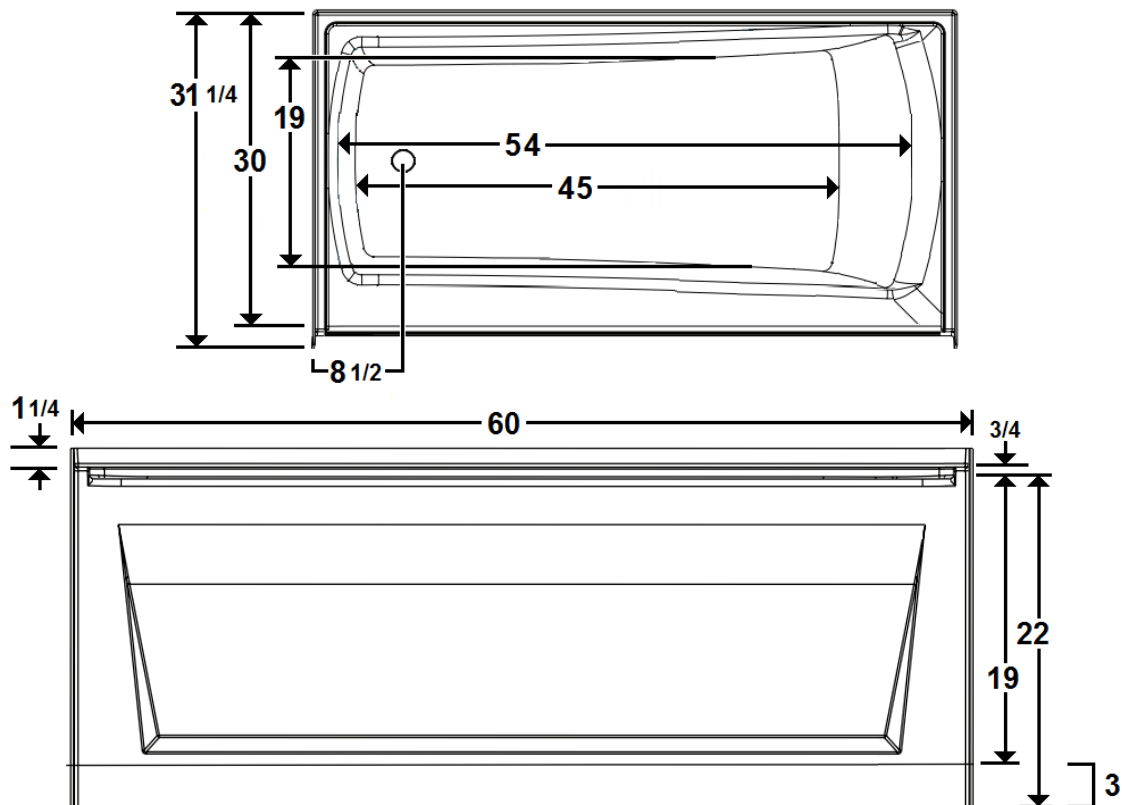
Model Number
6030PTSR064
Right Hand Drain Soaker in White
6030PTSL064
Left Hand Drain Soaker in White

Features

- AFR – Extended Skirt
- Constructed of high-gloss durable acrylic
- Textured slip resistant bottom
- Deep bathing well
- Pre-leveled base for easy installation
- Minimalist design
- Limited lifetime warranty
- Made in the USA



All dimensions are +/- 1/2" and subject to change without notice



Technical Information

- Weight: 113 lbs.
- Water Depth to Overflow: 14"
- Water Capacity: 55 gal.
- Sump Dimension: 44" x 19"

Installation Notes

Install these acrylic fixtures according to the Owner's Manual. Confirm Specifications before starting installation.