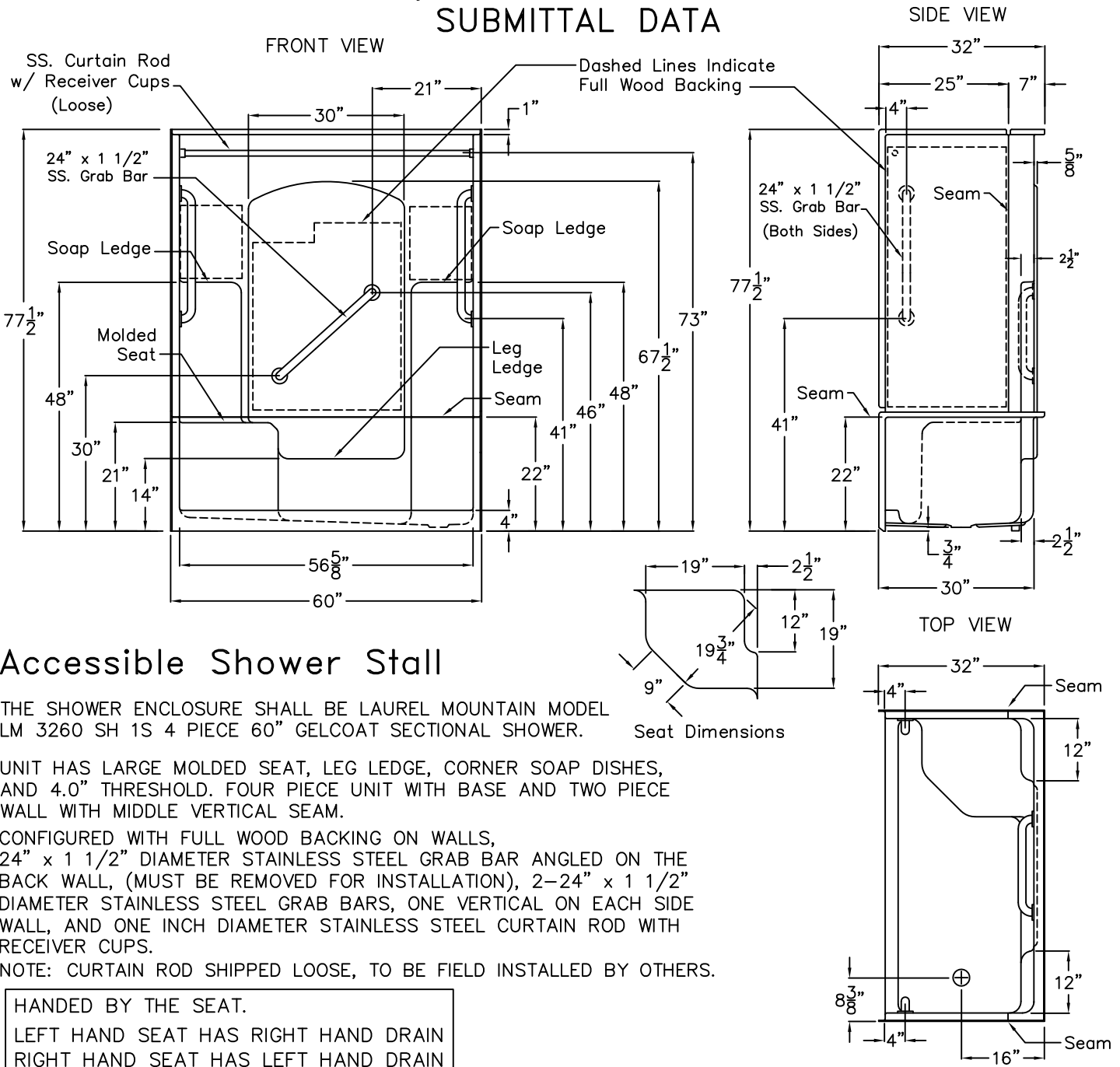


# Luxury Gelcoat Series

## SUBMITTAL DATA



### Accessible Shower Stall

THE SHOWER ENCLOSURE SHALL BE LAUREL MOUNTAIN MODEL LM 3260 SH 1S 4 PIECE 60" GELCOAT SECTIONAL SHOWER.

UNIT HAS LARGE MOLDED SEAT, LEG LEDGE, CORNER SOAP DISHES, AND 4.0" THRESHOLD. FOUR PIECE UNIT WITH BASE AND TWO PIECE WALL WITH MIDDLE VERTICAL SEAM.

CONFIGURED WITH FULL WOOD BACKING ON WALLS, 24" x 1 1/2" DIAMETER STAINLESS STEEL GRAB BAR ANGLED ON THE BACK WALL, (MUST BE REMOVED FOR INSTALLATION), 2-24" x 1 1/2" DIAMETER STAINLESS STEEL GRAB BARS, ONE VERTICAL ON EACH SIDE WALL, AND ONE INCH DIAMETER STAINLESS STEEL CURTAIN ROD WITH RECEIVER CUPS.

NOTE: CURTAIN ROD SHIPPED LOOSE, TO BE FIELD INSTALLED BY OTHERS.

HANDED BY THE SEAT.  
 LEFT HAND SEAT HAS RIGHT HAND DRAIN  
 RIGHT HAND SEAT HAS LEFT HAND DRAIN

BASE SEAM IS 22" ABOVE THE BOTTOM OF THE SKIRT.

Unit complies with IAPMOZ124-2011, Home Innovation Research Lab, UPC, HUD, FHA, and CSA B45.5.

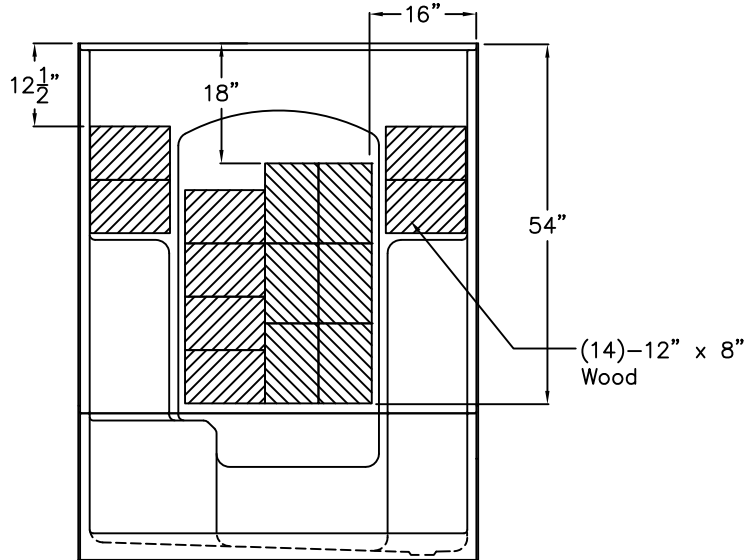
DUE TO THE NATURE OF THE MATERIALS DIMENSIONS MAY VARY ± 1/2"

	<b>LAUREL MOUNTAIN</b>
	Drawing#: LM 3260 SH 1S 4P 4.0 3-SS Grab Bars CR FWB
	Date: 4-27-07.      Revised: 10-9-15

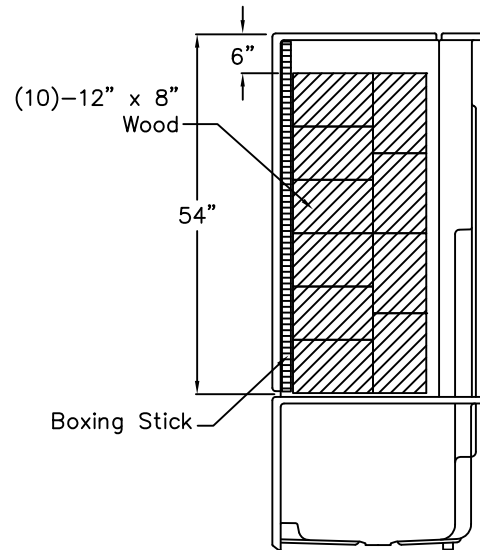
# Luxury Gelcoat Series

## SUBMITTAL DATA

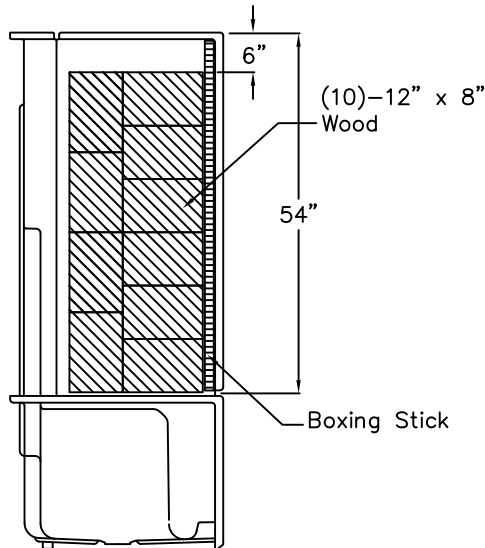
FRONT VIEW



SIDE VIEW



SEAT SIDE VIEW



DUE TO THE NATURE OF THE MATERIALS  
DIMENSIONS MAY VARY ± 1/2"

### LAUREL MOUNTAIN

Drawing#: LM 3260 SH 1S 4P 4.0 3-SS Grab  
Bars CR FWB-BP

Date: 4-27-07.

Revised: 10-9-15

### LAUREL MOUNTAIN

26 Nesbitt Road, Suite 257, New Castle Pa. 16105  
1 (800) 930 0050 - FAX 1-(800) 930 0051