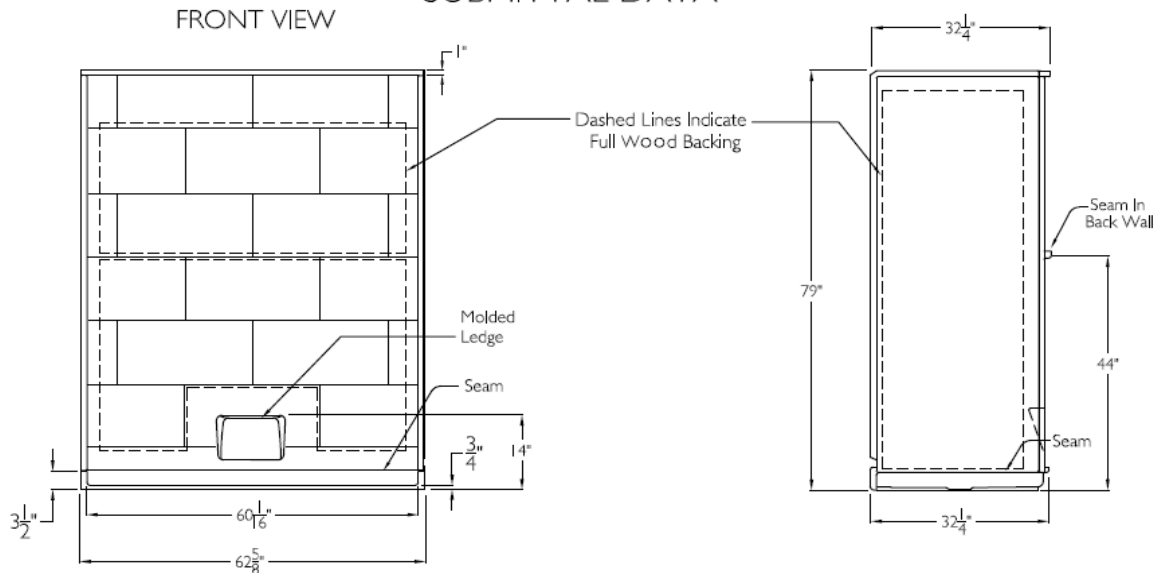




SUBMITTAL DATA



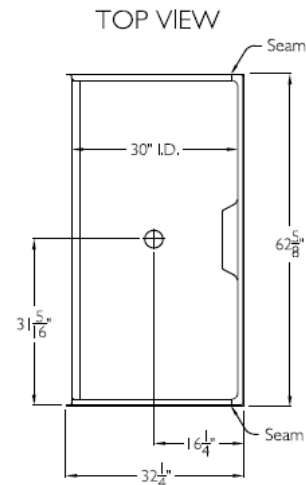
5Piece Sectional ADA Shower

The sectional shower shall be model LM 6232 BF 5 Piece center drain. Finished surface shall be of a sanitary grade applied Acrylic, exhibiting a minimal thickness of 15 dry mils, and a finished cured Barcoal hardness of 80-90 as tested with ASTM D-2583. Unit construction shall be of molded reinforced fiberglass with a minimum 15% fiberglass content. Unit has outside dimensions of : 62 5/8" x 32 1/4" x 79". The five piece shower shall meet: CSA B45.5, IAPMOZ124, HUD, FHA, Home Innovation Research Lab, and shall meet the requirements of the Southern Building Code. The enclosure shall be equipped with the following installed accessories:

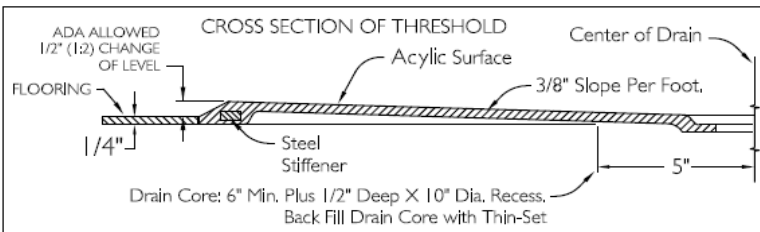
- 1) Subway tile finish on walls,
- 2) Full Wood backing on walls,
- 3) 5 Piece sectional design,
- 4) Molded soap ledge low on the back wall,
- 5) Seam in the back wall,
- 6) Center drain location,
- 7) Brass drain fitting,
- 8) Collapsible water retainer with end caps,
- 9) 3/4" threshold,
- 10) Stainless steel curtain rod with receiver cups,
- 11) Weighted shower curtain,

NOTE: SHOWER WILL COMPLY WITH ADA, AND ANSI A117.1 GUIDELINES ONLY IF HAND HELD SHOWER SET ALONG WITH U-GRAB BARS, OR L-GRAB BARS AND SEAT ARE INSTALLED.

NOTE: UNIT SHIPPED UN-ASSEMBLED. (FIELD ASSEMBLY BY OTHERS).



DUE TO THE NATURE OF THE MATERIALS DIMENSIONS MAY VARY + - 1/2 INCH.



LAUREL MOUNTAIN

Drawing #: LM 6232 BF 5P .75" COL

Date: 11-13-15

Revised: 1-13-19

Rosville I