



## ROSSVILLE II

60 x 36 x 78

### Zero Threshold Shower

Drain                      Model #                     

C LM6232BF5PCPK1.75064

### Features

- Barrier free, easy entry, wheelchair accessible threshold.
- Patented, pre-leveled base with **ArmorCore** reinforcement, and textured finish floor.
- Includes collapsible dam with end caps, stainless steel curtain rod, weighted shower curtain, chrome plated brass drain, and 3 stainless steel grab bars and an integral shelf.
- Simple, easy 5 piece installation from front or rear
- Accommodates a shower door
- Full wood reinforced walls for extra strength that enables bars to be located to fit your individual needs.
- Premium, durable applied acrylic/fiberglass construction
- Attractive and easy to clean
- Meets or exceeds UPC, IPC, ANSI Z124.1, NAHB, & SBC
- Made in the USA with a lifetime limited warranty



### Components Included (Field Installed)

★ Stainless Steel Curtain Rod



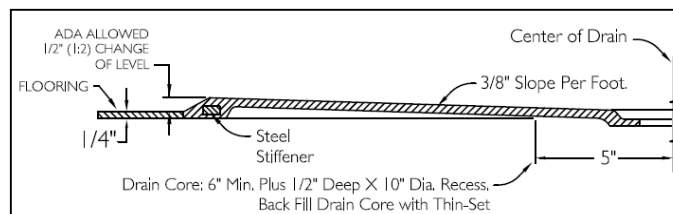
★ Three Stainless Steel Grab Bars

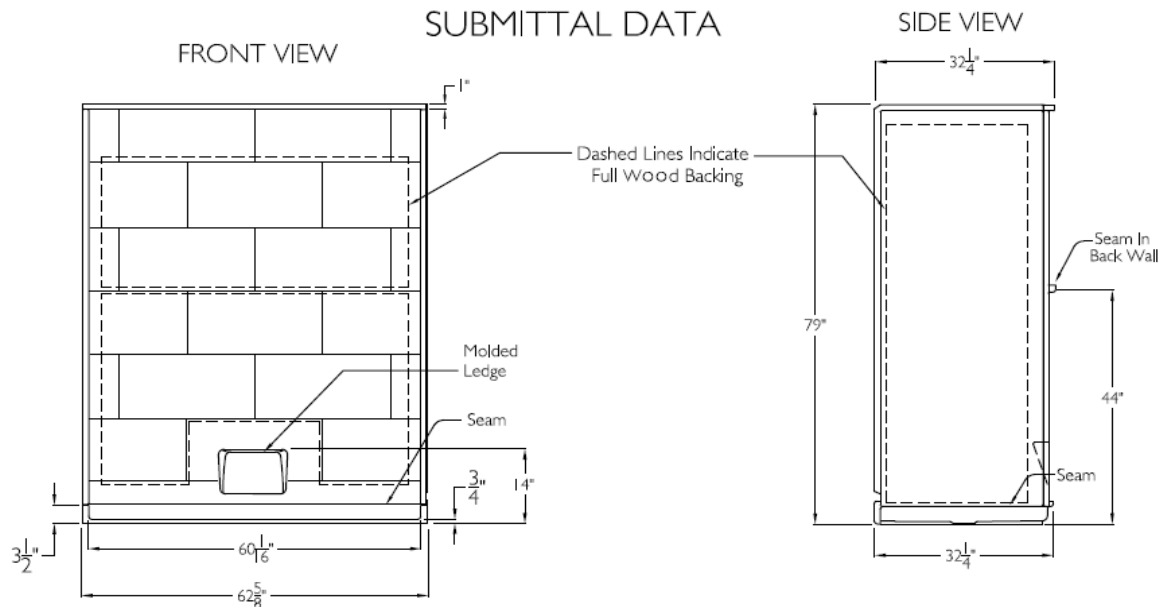


★ Chrome Plated Brass Drain



### CROSS SECTION OF THRESHOLD





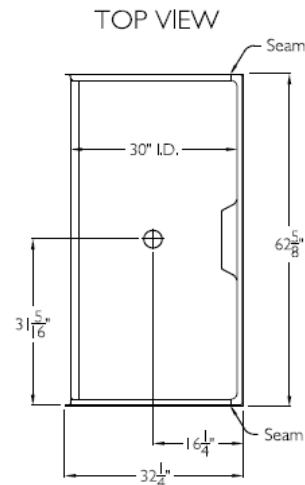
### 5Piece Sectional ADA Shower

The sectional shower shall be model LM 6232 BF 5 Piece center drain. Finished surface shall be of a sanitary grade applied Acrylic, exhibiting a minimal thickness of 15 dry mils, and a finished cured Barcoal hardness of 80-90 as tested with ASTM D-2583. Unit construction shall be of molded reinforced fiberglass with a minimum 15% fiberglass content. Unit has outside dimensions of : 62 5/8" x 32 1/4" x 79". The five piece shower shall meet: CSA B45.5, IAPMOZ124, HUD, FHA, Home Innovation Research Lab, and shall meet the requirements of the Southern Building Code. The enclosure shall be equipped with the following installed accessories:

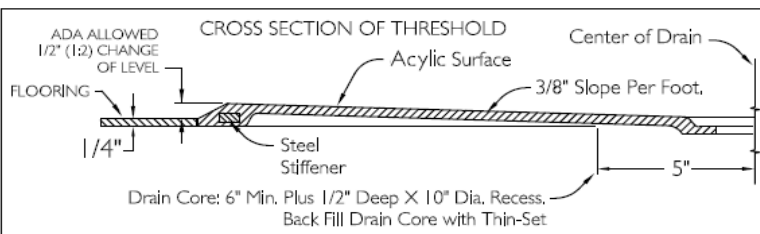
- 1) Subway tile finish on walls,
- 2) Full Wood backing on walls,
- 3) 5 Piece sectional design,
- 4) Molded soap ledge low on the back wall,
- 5) Seam in the back wall,
- 6) Center drain location,
- 7) Brass drain fitting,
- 8) Collapsible water retainer with end caps,
- 9) 3/4" threshold,
- 10) Stainless steel curtain rod with receiver cups,
- 11) Weighted shower curtain,
- 12) Two 24" and one 36" stainless steel grab bars,

NOTE: SHOWER WILL COMPLY WITH ADA, AND ANSI A117.1 GUIDELINES ONLY IF HAND HELD SHOWER SET ALONG WITH U-GRAB BARS, OR L-GRAB BARS AND SEAT ARE INSTALLED.

NOTE: UNIT SHIPPED UN-ASSEMBLED. (FIELD ASSEMBLY BY OTHERS).



DUE TO THE NATURE OF THE MATERIALS DIMENSIONS MAY VARY + - 1/2 INCH.



## LAUREL MOUNTAIN

Drawing #: LM 6232 BF 5P .75" COL

Date: 11-13-15

Revised: 1-18-19

Rosville II