



ROSSVILLE III

60 x 36 x 78

Zero Threshold Shower

Drain Model #

C LM6232BF5PCPK2.75064

Features

- Barrier free, easy entry, wheelchair accessible threshold.
- Patented, pre-leveled base with **ArmorCore** reinforcement, and textured finish floor.
- Includes collapsible dam with end caps, stainless steel curtain rod, weighted shower curtain, chrome plated brass drain, and 3 stainless steel grab bars and an integral shelf.
- Simple, easy 5 piece installation from front or rear
- Accommodates a shower door
- Full wood reinforced walls for extra strength that enables bars to be located to fit your individual needs.
- Premium, durable applied acrylic/fiberglass construction
- Attractive and easy to clean
- Meets or exceeds UPC, IPC, ANSI Z124.1, NAHB, & SBC
- Made in the USA with a lifetime limited warranty



Components Included (Field Installed)

★ Stainless Steel Curtain Rod



★ Three Stainless Steel Grab Bars

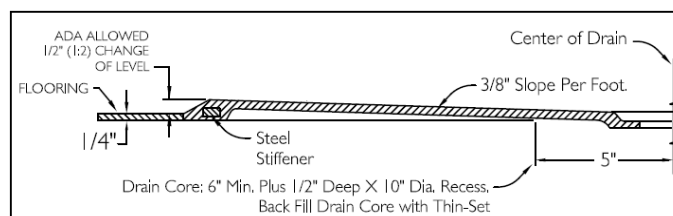


★ Chrome Plated Brass Drain

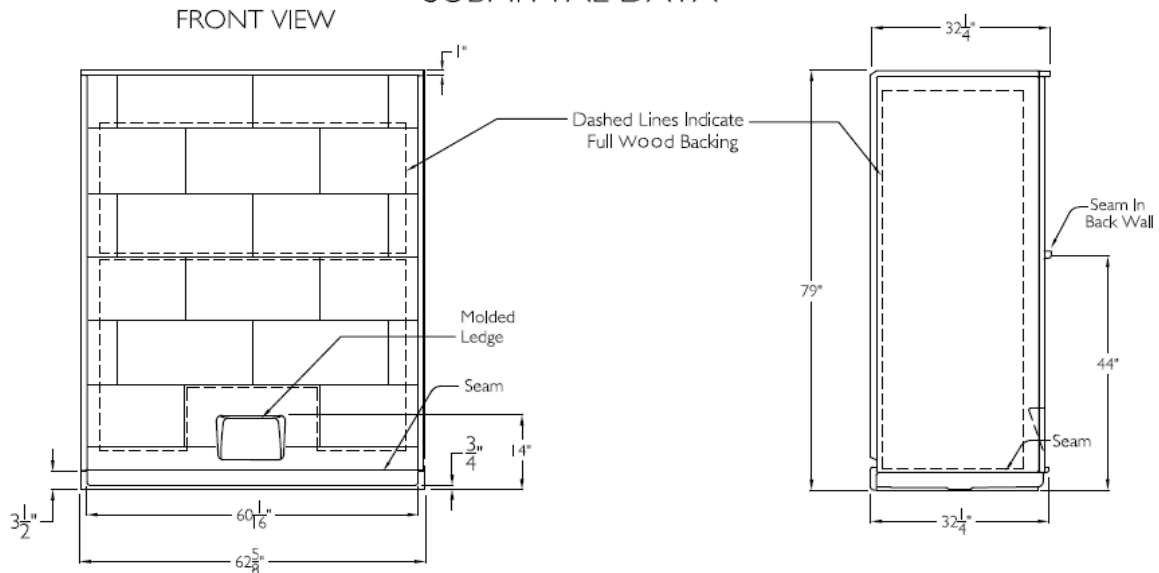


★ Padded Seat

CROSS SECTION OF THRESHOLD



SUBMITTAL DATA



5Piece Sectional ADA Shower

The sectional shower shall be model LM 6232 BF 5 Piece center drain. Finished surface shall be of a sanitary grade applied Acrylic, exhibiting a minimal thickness of 15 dry mils, and a finished cured Barcoal hardness of 80-90 as tested with ASTM D-2583. Unit construction shall be of molded reinforced fiberglass with a minimum 15% fiberglass content.

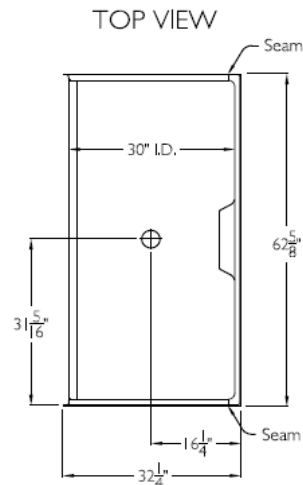
Unit has outside dimensions of: 62 5/8" x 32 1/4" x 79".

The five piece shower shall meet: CSA B45.5, IAPMOZ124, HUD, FHA, Home Innovation Research Lab, and shall meet the requirements of the Southern Building Code.

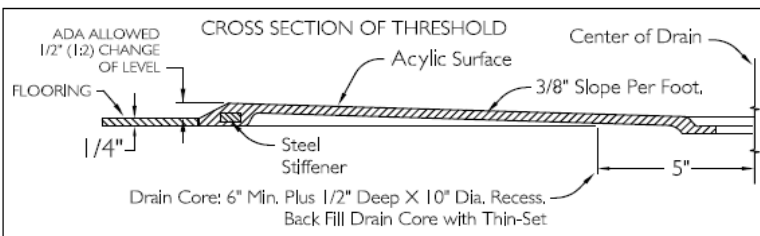
The enclosure shall be equipped with the following installed accessories:

- 1) Subway tile finish on walls,
- 2) Full Wood backing on walls,
- 3) 5 Piece sectional design,
- 4) Molded soap ledge low on the back wall,
- 5) Seam in the back wall,
- 6) Center drain location,
- 7) Brass drain fitting,
- 8) Collapsible water retainer with end caps,
- 9) 3/4" threshold,
- 10) Stainless steel curtain rod with receiver cups,
- 11) Weighted shower curtain,
- 12) Two 24" and one 36" stainless steel grab bars,
- 13) Padded 24" x 16" fold up seat with legs - 300 lb capacity,
- 14) Pressure balanced mixing valve,
- 15) Hand shower with slide bar,

NOTE: UNIT SHIPPED UN-ASSEMBLED. (FIELD ASSEMBLY BY OTHERS).



DUE TO THE NATURE OF THE MATERIALS DIMENSIONS MAY VARY + - 1/2 INCH.



LAUREL MOUNTAIN

Drawing #: LM 6232 BF 5P .75" COL

Date: 11-13-15

Revised: 1-18-19

Rossville III

LAUREL MOUNTAIN

26 Nesbitt Road Suite 257 New Castle, Pa, 16105

Phone: 1 800 930 0050 Fax: 1 800 930 0051 Email: sales@lmbath.com