

# SENECA I - SKIRTED

SENECA I	WHIRLPOOL	4260SWS
SENECA I	AIR BATH	4260STAS
SENECA I	COMBO BATH	4260SWAS
SENECA I	TUB ONLY	4260STS

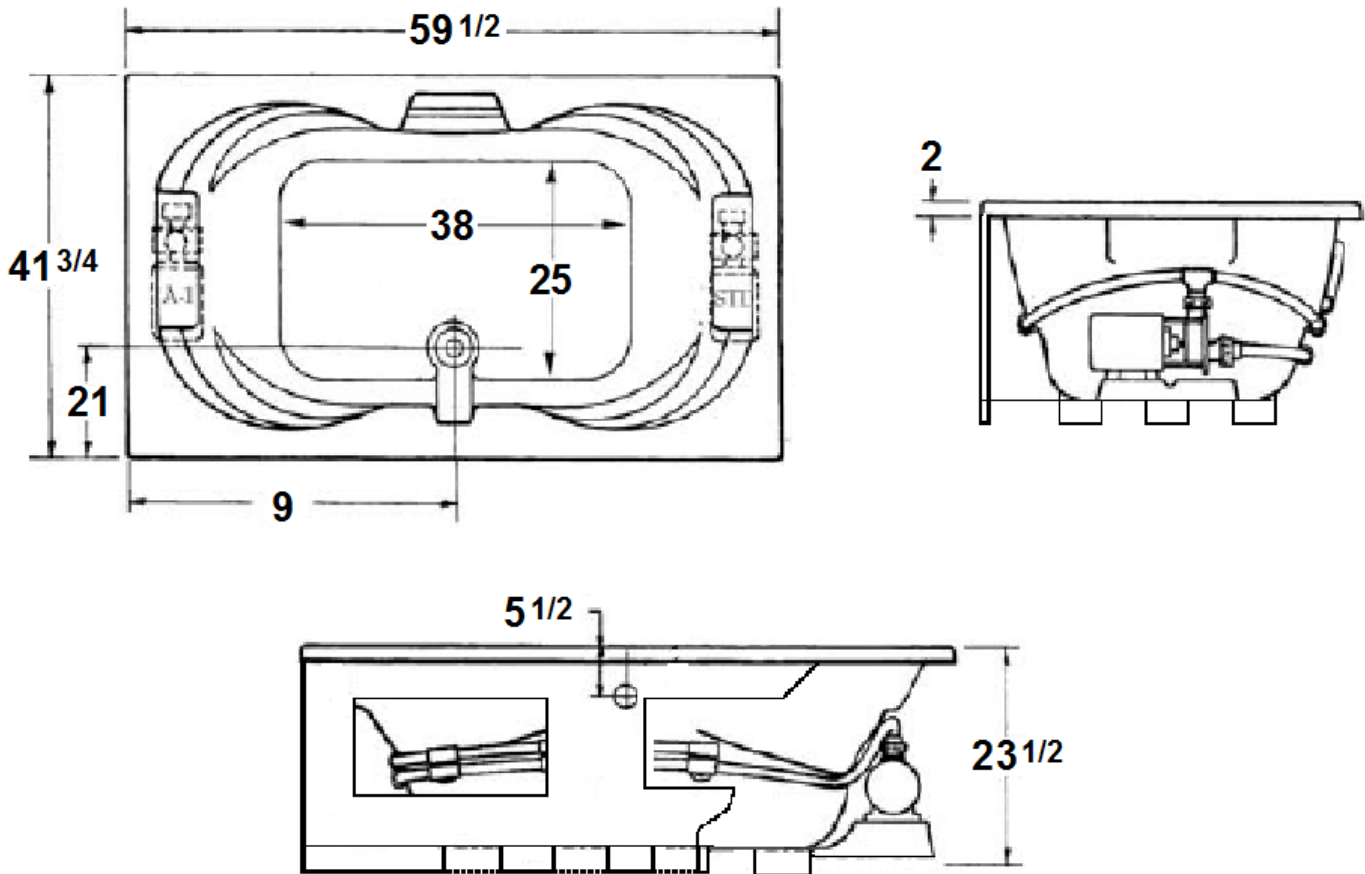
**INSTALLATION NOTES:** Install this fixture according to the installation manual. Confirm specifications before starting installation.

**ELECTRICAL REQUIREMENTS:**

Whirlpool pump / motor - 120V, 20A, 60HZ  
 Air Blower/Heater - 120V, 20A, 60HZ  
 Dedicated GFCI required.

All dimensions are +/- 1/4" and subject to change without notice.

SPECIFICATIONS	WHIRLPOOL AIR/COMBO	SOAKER
60" x 42" x 23"		
Water Capacity - Operating Level	44 gal.	
- To Overflow	90 gal.	90 gal.
Approx. Unit Weight	170 lbs.	135 lbs.
Water Depth to Overflow	16.75	16.75



Website: [www.laurelmountainwhirlpools.com](http://www.laurelmountainwhirlpools.com)  
 Email: [sales@laurelmountainwhirlpools.com](mailto:sales@laurelmountainwhirlpools.com)  
 Phone: 800-930-0050  
 Fax: 800-930-0051

Manufacturing Facility  
 1610 James P. Rodgers Drive  
 Valdosta, GA 31601

Sales/Customer Service  
 26 Nesbitt Rd. Suite 257  
 New Castle, PA 16105