

# LAUREL MOUNTAIN WHIRLPOOLS

## SENECA I, II & III

<b>I</b>	SENECA I	WHIRLPOOL	4260SW
	SENECA I	AIR BATH	4260STA
	SENECA I	COMBO BATH	4260SWA
	SENECA I	TUB ONLY	4260ST

<b>II</b>	SENECA II	WHIRLPOOL	4272SW
	SENECA II	AIR BATH	4272STA
	SENECA II	COMBO BATH	4272SWA
	SENECA II	TUB ONLY	4272ST

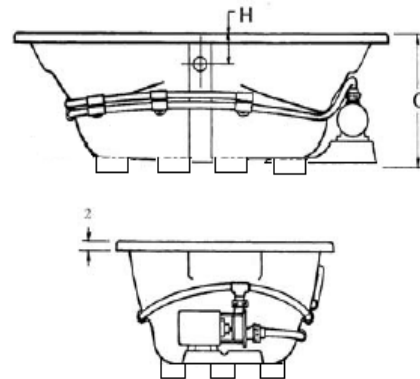
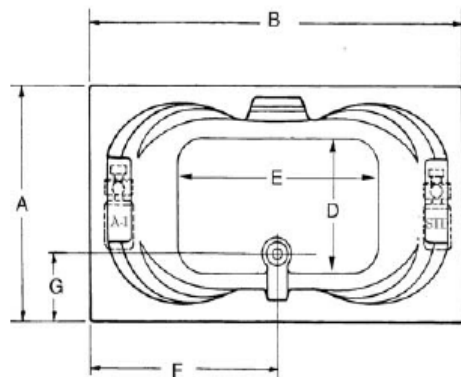
<b>III</b>	SENECA III	WHIRLPOOL	4872SW
	SENECA III	AIR BATH	4872STA
	SENECA III	COMBO BATH	4872SWA
	SENECA III	TUB ONLY	4872ST

**INSTALLATION NOTES:** Install this fixture according to the installation manual. Confirm specifications before starting installation.

**ELECTRICAL REQUIREMENTS:** Whirlpool pump/motor 120V, 20A, 60HZ, Air Blower/Heater 120V, 20A, 60HZ. Dedicated GFCI required.

All dimensions are +/- 1/4" and subject to change without notice.

Available with an optional attachable skirt with removable access panel.



MODEL#	A	B	C	D	E	F	G	H
4260	42	60	23	25	38	30	12	5 1/2
4272	41 7/8	71 3/4	23	25	42	35 3/4	12	5 1/2
4872	48	72 1/2	23	31	42	36 1/4	12	5 1/2

MODEL#	WATER CAPACITY OPERATING LEVEL	WATER CAPACITY TO OVERFLOW	WATER DEPTH TO OVERFLOW	APPROX. UNIT WT.
4260 WHIRL/AIR/COMBO	44 gal.	90 gal.	16 3/4	170 lbs.
4260 SOAKER	-	90 gal.	16 3/4	135 lbs.
4272 WHIRL/AIR/COMBO	56 gal.	101 gal.	17	185 lbs.
4272 SOAKER	-	101 gal.	17	150 lbs.
4872 WHIRL/AIR/COMBO	65 gal.	112 gal.	17 1/4	200 lbs.
4872 SOAKER	-	112 gal.	17 1/4	165 lbs.



Website: [www.laurelmountainwhirlpools.com](http://www.laurelmountainwhirlpools.com)  
 Email: [sales@laurelmountainwhirlpools.com](mailto:sales@laurelmountainwhirlpools.com)  
 Phone: 800-930-0050  
 Fax: 800-930-0051

Manufacturing Facility  
 1610 James P. Rodgers Drive  
 Valdosta, GA 31601

Sales/Customer Service  
 26 Nesbitt Rd. Suite 257  
 New Castle, PA 16105