

SENECA I, II & III

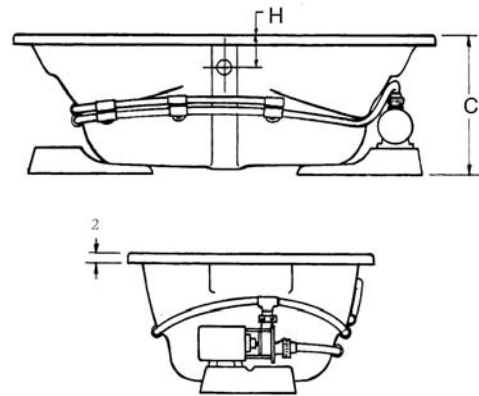
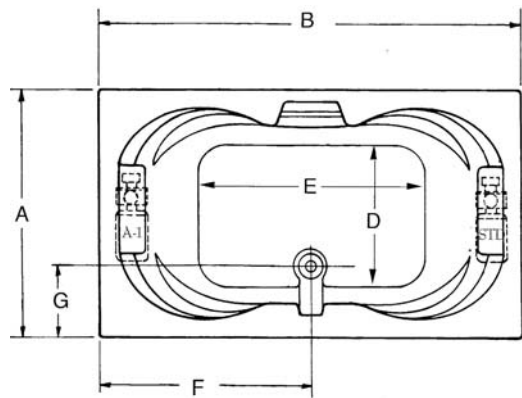
	SENECA I	WHIRLPOOL	4260SW
I	SENECA I	AIR BATH	4260STA
	SENECA I	COMBO BATH	4260SWA
	SENECA I	TUB ONLY	4260ST
	SENECA II	WHIRLPOOL	4272SW
II	SENECA II	AIR BATH	4272STA
	SENECA II	COMBO BATH	4272SWA
	SENECA II	TUB ONLY	4272ST
III	SENECA III	WHIRLPOOL	4872SW
	SENECA III	AIR BATH	4872STA
	SENECA III	COMBO BATH	4872SWA
	SENECA III	TUB ONLY	4872ST

INSTALLATION NOTES: Install this fixture according to the installation manual. Confirm specifications before starting installation.

ELECTRICAL REQUIREMENTS: Whirlpool pump/motor 120V, 20A, 60HZ, Air Blower/Heater 120V, 20A, 60HZ. Dedicated GFCI required.

All dimensions are +/- 1/4" and subject to change without notice.

Available with an optional attachable skirt with removable access panel.



MODEL #	A	B	C	D	E	F	G	H
4260	42	60	23	25	38	30	12	5 1/2
4272	41 7/8	71 3/4	23	25	42	35 3/4	12	5 1/2
4872	48	72 1/2	23	31	42	36 1/4	12	5 1/2

MODEL #	WATER CAPACITY OPERATING LEVEL	WATER CAPACITY TO OVERFLOW	WATER DEPTH TO OVERFLOW	APPROX. UNIT WT.
4260 WHIRL/AIR/COMBO	44 gal.	90 gal.	16 3/4	170 lbs.
4260 SOAKER	-	90 gal.	16 3/4	135 lbs.
4272 WHIRL/AIR/COMBO	56 gal.	101 gal.	17	185 lbs.
4272 SOAKER	-	101 gal.	17	150 lbs.
4872 WHIRL/AIR/COMBO	65 gal.	112 gal.	17 1/4	200 lbs.
4872 SOAKER	-	112 gal.	17 1/4	165 lbs.



Website: www.laurelmountainwhirlpools.com
 Email: sales@laurelmountainwhirlpools.com
 Phone: 800-930-0050
 Fax: 800-930-0051

Manufacturing Facility
 1610 James P. Rodgers Drive
 Valdosta, GA 31601

Sales/Customer Service
 2418 Wilmington Road, Suite C
 New Castle, PA 16105