



# SENECA I

## 60" x 42" Drop-In Acrylic Whirlpool

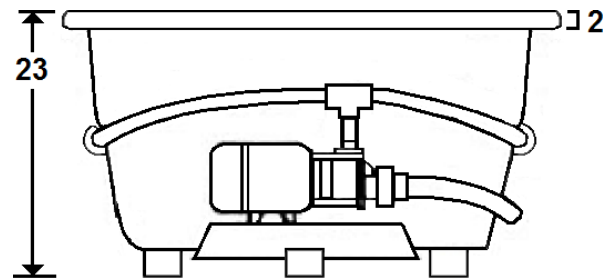
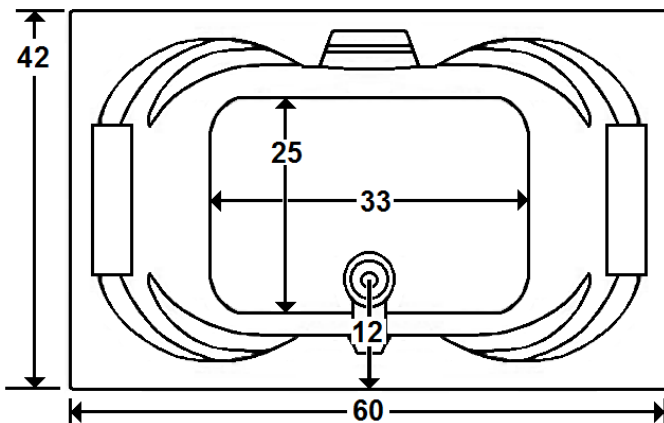
Model Number  
**4260SW064**  
Drop-In Whirlpool in White

### Features

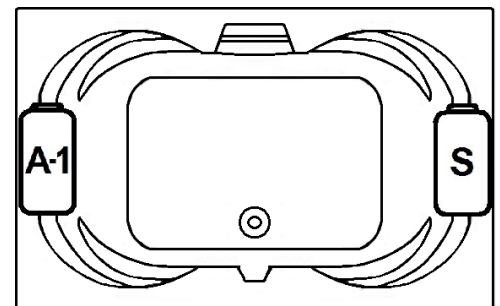
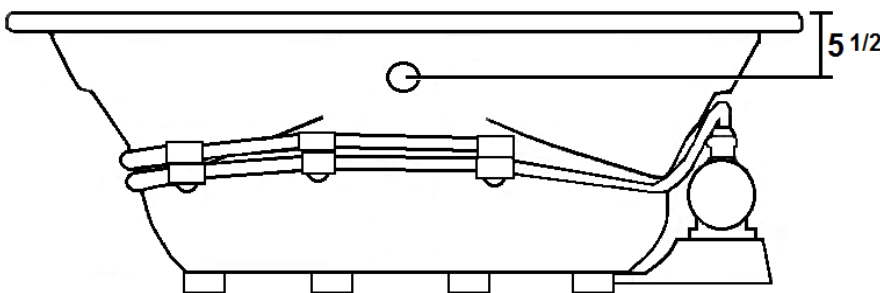
- Color-matched jet trim
- 10 adjustable hydrotherapy jets
- Pillow included
- Constructed of high-gloss durable acrylic
- 3-Speed control for the 13.5 Amp pump
- Inline heater available – LM300
- Mood light available – LM522
- Pre-leveled base for easy installation
- Made in the USA



**\*All dimensions are +/- 1/2" and subject to change without notice\***  
**Confirm specifications before installation**



Standard (S) Pump Location and Alternate (A-1) Pump locations.



### Technical Information

- Cut-Out Dimensions: 58" x 40"
- Weight: 170 lbs.
- Water Depth to Overflow: 15 3/4"
- Water Operating Level: 44 gal.
- Water Capacity: 90 gal.
- Sump Dimension: 38" x 25"

### Electrical Requirements.

- Standard Pump: 13.5 Amps
- (Optional) LM300 Heater: 12 Amps
- (Optional) LM509 Back Massage: 5 Amps
- Dedicated GFCI's required for each option

# SENECA I

**4260SW064**  
Drop-In Whirlpool in White

## Whirlpool

Experience a powerful, deep tissue therapeutic massage, which will soothe muscles & joints while releasing tension. Our eight standard, high performance jets will promote increased blood flow, improved flexibility and help reduce accumulated toxins.

Laurel Mountain enables you to enhance your bathing experience by offering a broad range of options to customize your bath. The options available on this bath are shown below.

## AVAILABLE OPTIONS & UPGRADES

For Pricing, visit the "Help" page at [www.laurelmountainwhirlpools.com](http://www.laurelmountainwhirlpools.com). Download the Price book. For pictures and descriptions of options, go to [www.laurelmountainwhirlpools.com](http://www.laurelmountainwhirlpools.com) and click "options" tab found at the bottom of the website.

### Therapeutic

|                              |                             |               |
|------------------------------|-----------------------------|---------------|
| <b>LM300 Inline Heater</b>   | <b>BACK MASSAGE SYSTEMS</b> |               |
| <b>LM522 Chromatherapy</b>   | LM505 Chrome                | LM509 White   |
| <b>LM500 Extra Jets (x2)</b> | LM506 Brushed Nickel        | LM510 Biscuit |
|                              | LM507 Bronze                |               |

### Accessories

|                            |                              |   |
|----------------------------|------------------------------|---|
| <b>WHIRLPOOL TRIM KITS</b> | <b>CABLE OPERATED DRAINS</b> | <b>LM335 Ozonator<br/>(Sanitizing System)</b> |
| LM101 Chrome               | LM200 Chrome                 |   |
| LM102 Brushed Nickel       | LM201 Brushed Nickel         |   |
| LM103 Bronze               | LM202 Bronze                 |   |
|                            | LM210 White                  |   |
|                            | LM211 Biscuit                |   |

### Design / Construction

|                                      |                                     |
|--------------------------------------|-------------------------------------|
| <b>LM542 Plastic Flange</b>          | <b>LM545 A-1 Pump Location</b>      |
| <b>LM548 Flange (drain side)</b>     | <b>LM557 Skirt (drain side)</b>     |
| <b>LM549 Flange (non-drain side)</b> | <b>LM558 Skirt (non-drain side)</b> |

## INSTALLATION

Install this unit according to the Owner's Manual. The Owner's manual can be found by visiting the "Help" page at [www.laurelmountainwhirlpools.com](http://www.laurelmountainwhirlpools.com). Select "Installation" on the right side of the page. Then click on the "Colony Owner's Manual".