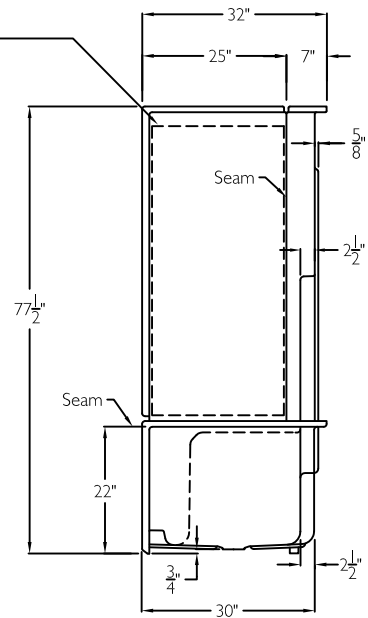
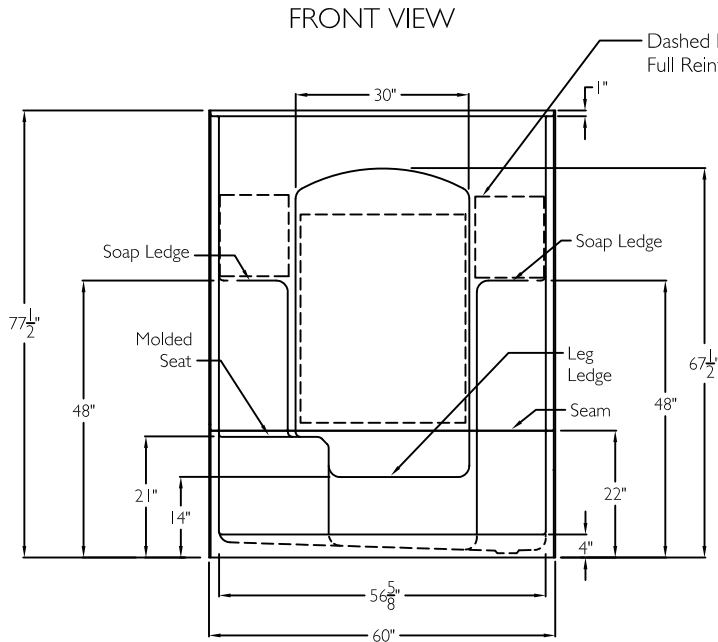
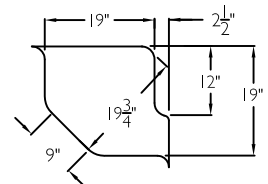
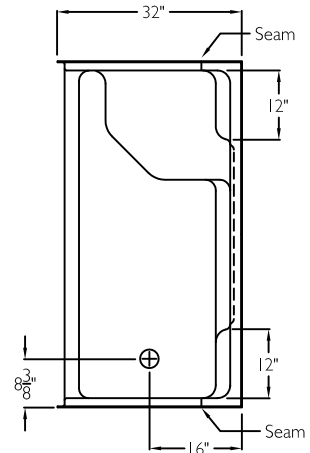


SUBMITTAL DATA

SIDE VIEW



TOP VIEW



4 Piece Sectional Shower

The sectional shower shall be model LM 3260 SH IS 4 Piece left or right drain. Finished surface shall be of a sanitary grade applied acrylic. Unit has outside dimensions of : 60" x 32" x 77 1/2".

The five piece shower shall meet: CSA B45.5, IAPMOZ124, HUD, FHA, and Home Innovation Research Lab.

The enclosure shall be equipped with the following installed accessories:

- 1) Tile finish on walls,
- 2) Full reinforced backing on walls,
- 3) 4 Piece sectional design,
- 4) Large molded seat,
- 5) Molded soap ledges on the back wall,
- 6) Molded leg ledge,
- 7) Left or right drain location,
- 8) Brass drain fitting,
- 9) 4" threshold.

HANDED BY THE SEAT.

LEFT HAND SEAT HAS RIGHT HAND DRAIN
RIGHT HAND SEAT HAS LEFT HAND DRAIN

DUE TO THE NATURE OF THE MATERIALS DIMENSIONS MAY VARY + - 1/2 INCH.

LAUREL MOUNTAIN

Drawing #: LM 3260 SH IS 4P 4.0" FWB

Date: 11-1-0-15

Revised: 5-18-17

Ramer

LAUREL MOUNTAIN

26 Nesbitt Road Suite 257 New Castle, Pa. 16105

Phone: 1 800 930 0050 Fax: 1 800 930 0051 Email: sales@lmbath.com