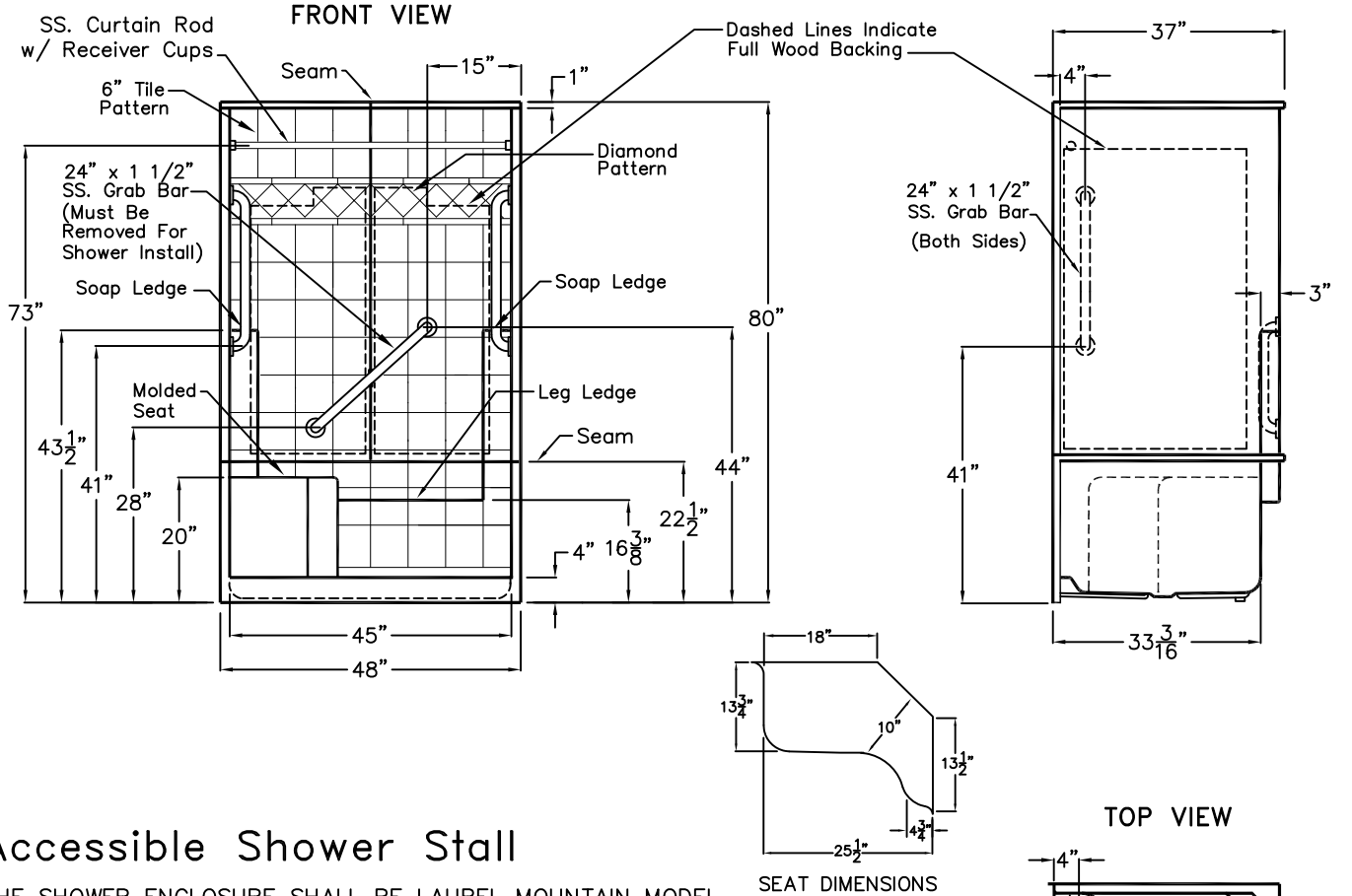


ASSISTED LIVING SERIES

SUBMITTAL DATA



Accessible Shower Stall

THE SHOWER ENCLOSURE SHALL BE LAUREL MOUNTAIN MODEL LM 3648 SH 1S TILE 3 PIECE 48" GELCOAT SECTIONAL SHOWER.

UNIT HAS LARGE MOLDED SEAT, LEG LEDGE, CORNER SOAP DISHES, TILE FINISH, DIAMOND ACCENTS, AND 4.0" THRESHOLD. THREE PIECE UNIT WITH BASE AND TWO PIECE WALL WITH MIDDLE VERTICAL SEAM.

CONFIGURED WITH FULL WOOD BACKING ON WALLS, 24" x 1 1/2" DIAMETER STAINLESS STEEL GRAB BAR ANGLED ON THE BACK WALL, (MUST BE REMOVED FOR INSTALLATION), 2-24" x 1 1/2" DIAMETER STAINLESS STEEL GRAB BARS, ONE VERTICAL ON EACH SIDE WALL, AND ONE INCH DIAMETER STAINLESS STEEL CURTAIN ROD WITH RECEIVER CUPS.

NOTE: CURTAIN ROD SHIPPED LOOSE, TO BE FIELD INSTALLED BY OTHERS.

HANDED BY THE SEAT.

BASE SEAM IS 22 1/2" ABOVE THE BOTTOM OF THE SKIRT.

Unit complies with IAPMOZ124-2011, Home Innovation Research Lab, UPC, HUD, FHA, and CSA B45.5.

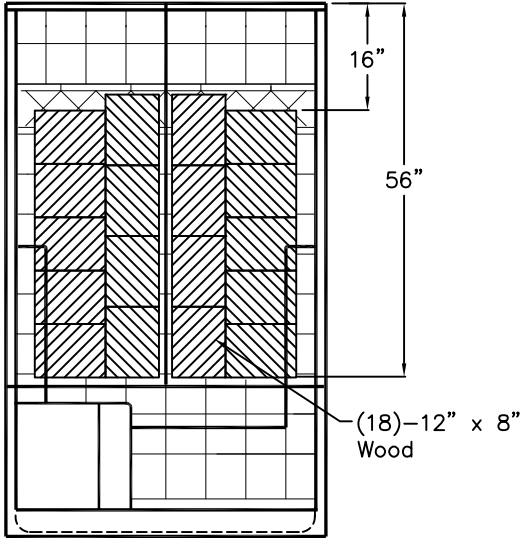
DUE TO THE NATURE OF THE MATERIALS, UNIT DIMENSIONS MAY VARY ± 1/2 INCH

	LAUREL MOUNTAIN
	Drawing#: LM 3648 SH 1S 3P 4.0 3-SS Grab Bars CR FWB
	Date: 5-10-04 Revised: 1-5-16

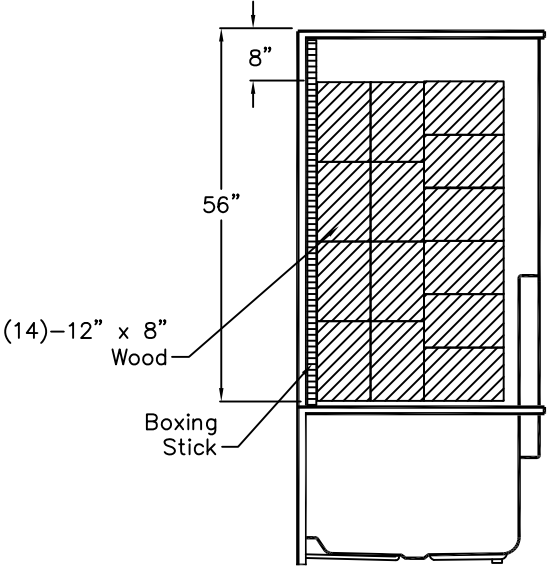
Board Placement Drawing

SUBMITTAL DATA

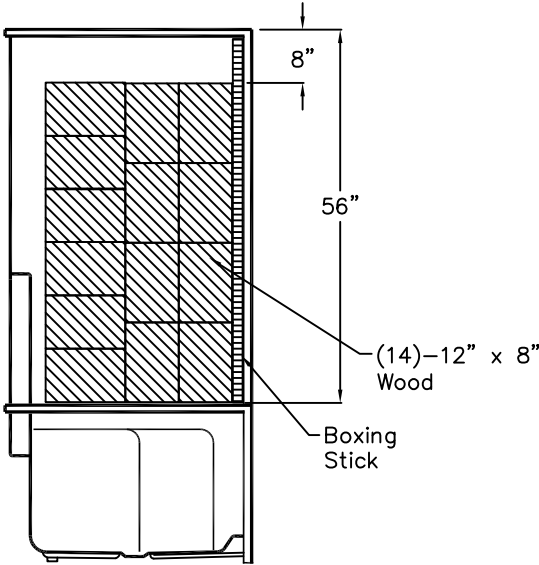
FRONT VIEW



VALVE SIDE



SEAT SIDE VIEW



DUE TO THE NATURE OF THE MATERIALS,
UNIT DIMENSIONS MAY VARY ± 1/2 INCH

	LAUREL MOUNTAIN
	Drawing#: LM 3648 SH 1S 3P 4.0 3-SS Grab Bars CR FWB-BP
	Date: 5-10-04 Revised: 1-5-16