



Stephen 60" x 32" Skirted Acrylic Whirlpool

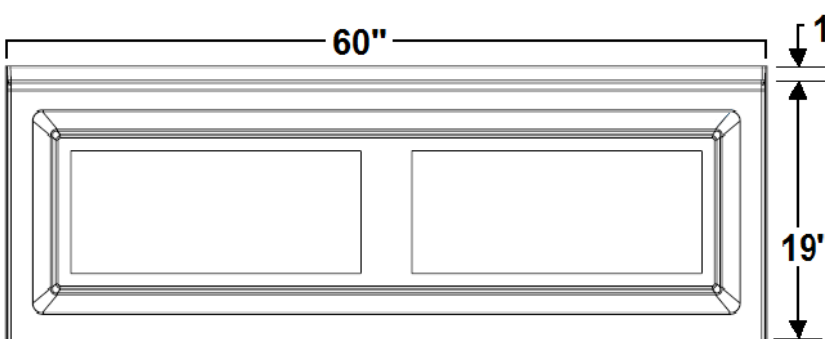
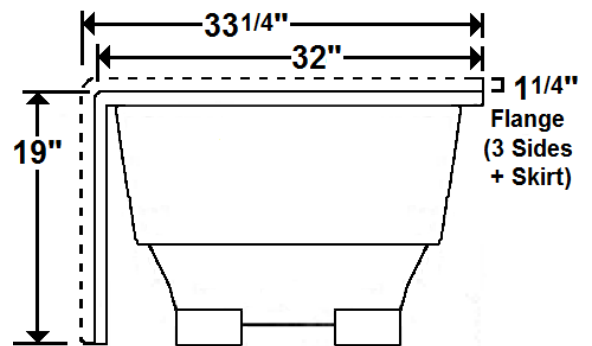
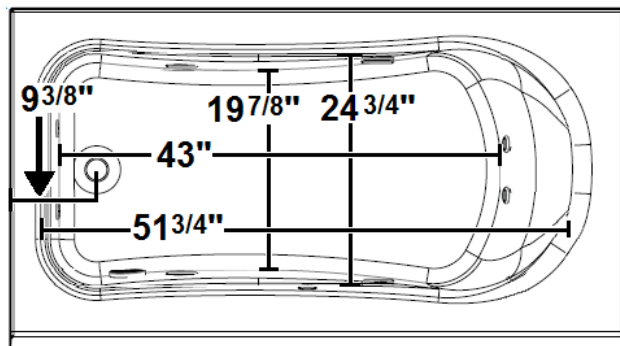
Model Number
6032SWSR064
Right Hand Drain Whirlpool in White
6032SWSL064
Left Hand Drain Whirlpool in White

Features

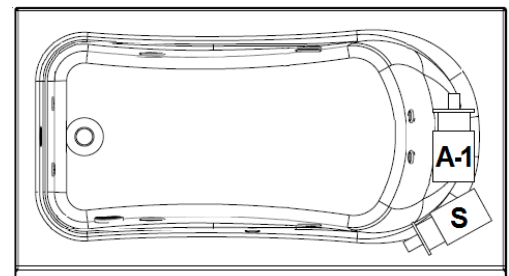
- Color-matched jet trim
- 10 adjustable hydrotherapy jets
- Pillow included
- Constructed of high-gloss durable acrylic
- 3-Speed control for the 9.0 Amp pump
- Inline heater available – LM300
- Mood light available – LM522
- Pre-leveled base for easy installation
- Made in the USA



All dimensions are +/- 1/2" and subject to change without notice
Confirm specifications before installation



Standard (S) Pump Location and Alternate (A-1) Pump locations.



Technical Information

- Weight: 162 lbs.
- Water Depth to Overflow: 13 5/8"
- Operating Capacity: 31 gal.
- Water Capacity: 53 gal.
- Sump Dimension: 43" x 19 7/8"

Electrical Requirements.

- Standard Pump: 9 Amps
- (Optional) LM300 Heater: 12 Amps
- (Optional) LM509 Back Massage: 5 Amps
- Dedicated GFCI's required for each option

Stephen

6032SWSR064

Right Hand Drain Whirlpool in White

6032SWSL064

Left Hand Drain Whirlpool in White

Whirlpool

Experience a powerful, deep tissue therapeutic massage, which will soothe muscles & joints while releasing tension. Our ten standard, high performance jets will promote increased blood flow, improved flexibility and help reduce accumulated toxins.

Laurel Mountain enables you to enhance your bathing experience by offering a broad range of options to customize your bath. The options available on this bath are shown below.

AVAILABLE OPTIONS & UPGRADES

For Pricing, visit the "Help" page at www.laurelmountainwhirlpools.com. Download the Price book. For pictures and descriptions of options, go to www.laurelmountainwhirlpools.com and click "options" tab found at the bottom of the website.

Therapeutic

LM300 Inline Heater	BACK MASSAGE SYSTEMS	
LM522 Chromatherapy Mood Light	LM505 Chrome	LM509 White
	LM506 Brushed Nickel	LM510 Biscuit
	LM507 Bronze	

Accessories

WHIRLPOOL TRIM KITS	CABLE OPERATED DRAINS	LM335 Ozonator (Sanitizing System)
LM101 Chrome	LM200 Chrome	
LM102 Brushed Nickel	LM201 Brushed Nickel	
LM103 Bronze	LM202 Bronze	8" GRAB BARS
	LM210 White	LM230 White
	LM211 Biscuit	LM231 Biscuit

Design / Construction

LM545 A-1 Pump Loc

INSTALLATION

Install this unit according to the Owner's Manual. The Owner's manual can be found by visiting the "Help" page at www.laurelmountainwhirlpools.com. Select "Installation" on the right side of the page. Then click on the "Colony Owner's Manual".