



# SUNBRIGHT

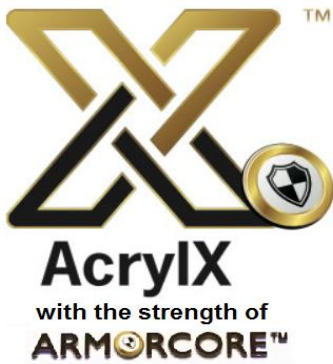
62 x 38 x 79

## Zero Threshold Shower

<b>Drain</b>	<b>Model #</b>
C	LM6238BF5PC.75064

### Features

- Barrier free, easy entry, wheelchair accessible threshold.
- Patented, pre-leveled base with **ArmorCore** reinforcement, and textured finish floor.
- Includes collapsible dam with end caps, stainless steel curtain rod, weighted shower curtain, chrome plated brass drain, and an integral shelf.
- Simple, easy 5 piece installation from front or rear
- Accommodates a shower door
- Full wood reinforced walls for extra strength that enables bars to be located to fit your individual needs.
- Premium, durable applied acrylic/fiberglass construction
- Attractive and easy to clean
- Meets or exceeds UPC, IPC, ANSI Z124.1, NAHB, & SBC
- Made in the USA with a lifetime limited warranty

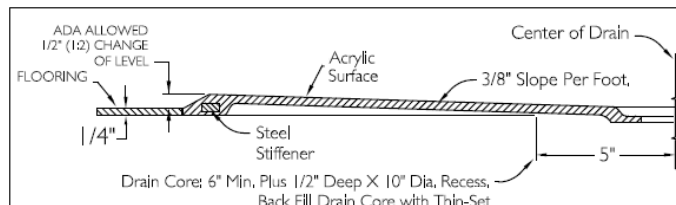


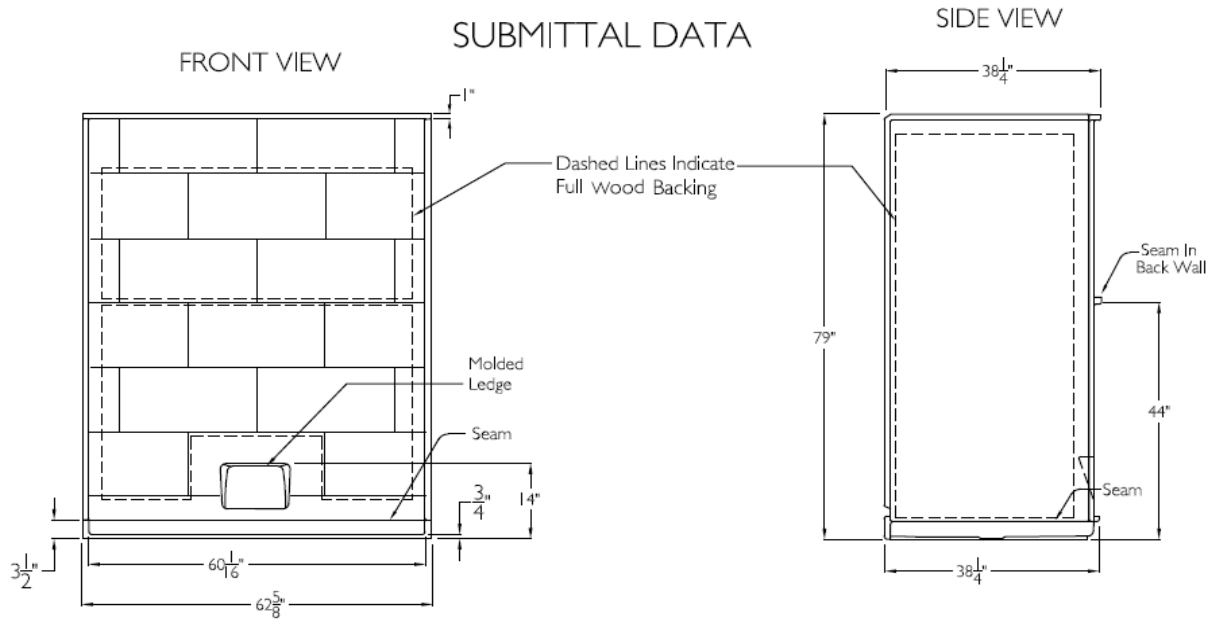
### ARMORCORE

Tested to IAPMO standards to withstand more than **6X** the standard pressure without failure



### CROSS SECTION OF THRESHOLD





### 5Piece Sectional ADA Shower

The sectional shower shall be model LM 6238 BF 5 Piece center drain. Finished surface shall be of a sanitary grade applied Acrylic, exhibiting a minimal thickness of 15 dry mils, and a finished cured Barcoal hardness of 80-90 as tested with ASTM D-2583. Unit construction shall be of molded reinforced fiberglass with a minimum 15% fiberglass content.

Unit has outside dimensions of : 62 5/8" x 38 1/4" x 79".

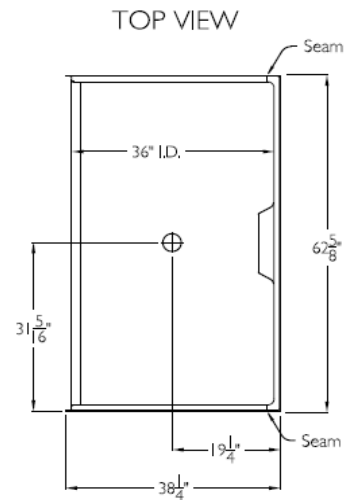
The five piece shower shall meet: CSA B45.5, IAPMOZ124, HUD, FHA, Home Innovation Research Lab, and shall meet the requirements of the Southern Building Code.

The enclosure shall be equipped with the following installed accessories:

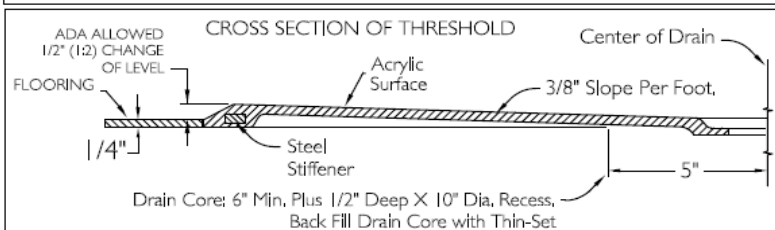
- 1) Subway tile finish on walls,
- 2) Full reinforced wood backing on walls,
- 3) 5 Piece sectional design,
- 4) Molded soap ledge low on the back wall,
- 5) Seam in the back wall,
- 6) Center drain location,
- 7) Brass drain fitting,
- 8) Collapsible water retainer with end caps,
- 9) 3/4" threshold,
- 10) Stainless steel curtain rod with receiver cups,
- 11) Weighted shower curtain.

NOTE: SHOWER WILL COMPLY WITH ADA, AND ANSI A117.1 GUIDELINES ONLY IF HAND HELD SHOWER SET ALONG WITH U-GRAB BARS, OR L-GRAB BARS AND SEAT ARE INSTALLED.

NOTE: UNIT SHIPPED UN-ASSEMBLED, (FIELD ASSEMBLY BY OTHERS),



DUE TO THE NATURE OF THE MATERIALS DIMENSIONS MAY VARY + - 1/2 INCH.



## LAUREL MOUNTAIN

Drawing #: LM 6238 BF 5P .75"

Date: 11-13-15

Revised: 1-18-19

Sunbright