

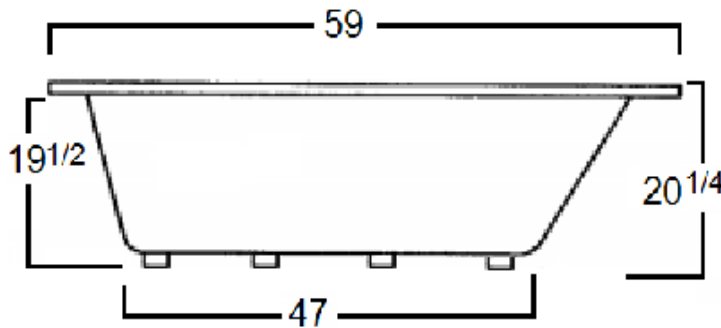
VANDALE

VANDALE	WHIRLPOOL	6060VWRL
VANDALE	AIR BATH	6060VTAR/L
VANDALE	COMBO BATH	6060VWAR/L
VANDALE	TUB ONLY	6060VTR/L

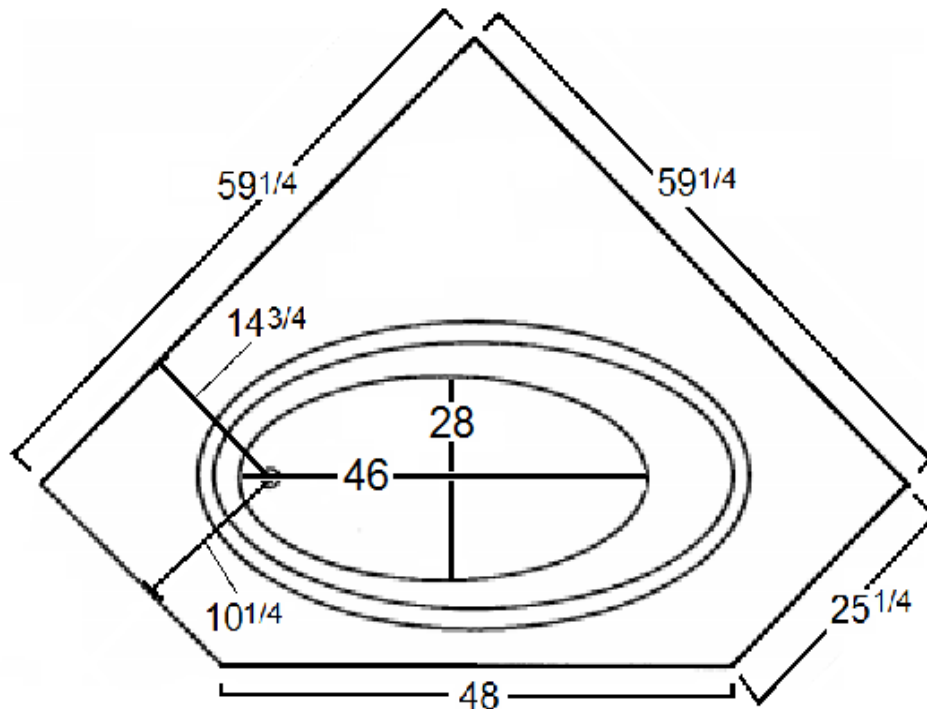
INSTALLATION NOTES: Install this fixture according to the installation manual. Confirm specifications before starting installation.

ELECTRICAL REQUIREMENTS:
 Whirlpool pump/motor- 120V, 20A, 60HZ,
 Air Blower/Heater- 120V, 20A, 60HZ
 Dedicated GFCI required

All dimensions are +/- 1/4" and subject to change without notice.



SPECIFICATIONS	WHIRLPOOL AIR/COMBO	SOAKER
59 1/4" x 59 1/4" x 20 1/4"		
Water Capacity - Operating Level	45.0 gal	
- To Overflow	62.0 gal	62.0 gal
Approx. Unit Weight	130 lbs.	115 lbs.
Water Depth to Overflow	12 1/4	12 1/4



Website: www.laurelmountainwhirlpools.com
 Email: sales@laurelmountainwhirlpools.com
 Phone: 800-930-0050
 Fax: 800-930-0051

Manufacturing Facility
 1610 James P. Rodgers Drive
 Valdosta, GA 31601

Sales/Customer Service
 26 Nesbitt Rd. Suite 257
 New Castle, PA 16105