



# Vansant 2

## 66" x 42" Drop-In Acrylic Air Bath

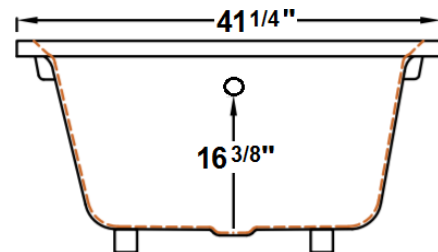
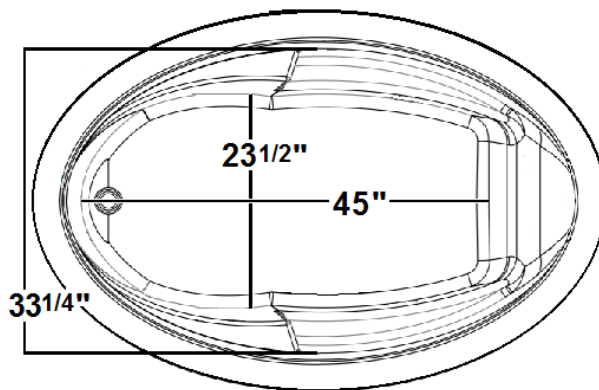
Model Number  
**6642VTA064**  
Drop-In Air Bath in White

### Features

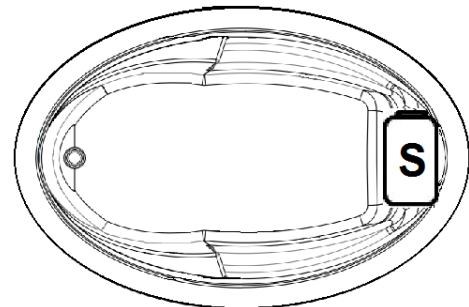
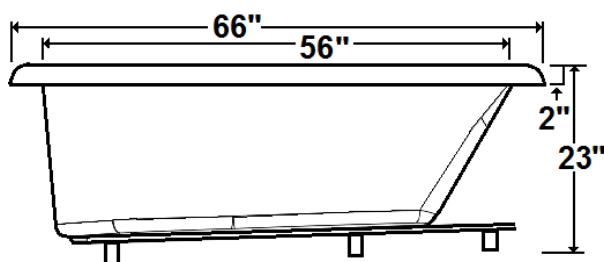
- 20 high output lateral air jets
- 10.5 Amp blower / heater
- Variable speed blower with automatic purge
- Includes Wave & Pulse modes
- Constructed of high-gloss durable acrylic
- Deep bathing well with textured slip resistant bottom
- Limited lifetime warranty
- Made in the USA



**\*All dimensions are +/- 1/2" and subject to change without notice\***  
**Confirm specifications before installation**



Standard (S) Pump Location



### Technical Information

- Weight: 119 lbs.
- Water Depth to Overflow: 16 3/8"
- Operating Capacity: NA
- Water Capacity: 75 gal.
- Sump Dimension: 45" x 23 1/2"

### Electrical Requirements.

- Standard Blower: 12 Amps
- (Optional) LM305 Heater: 12.5 Amps (120V)
- Dedicated GFCI's required for each options

# Vansant 2

6642VTA064  
Drop-In Whirlpool in White

## Air Bath

Thousands of warm air bubbles provide an invigorating and yet relaxing, light, full body massage. The warm air movement increases blood circulation, soothes muscles and produces a feeling of well-being.

Laurel Mountain enables you to enhance your bathing experience by offering a broad range of options to customize your bath. The options available on this bath are shown below.

## AVAILABLE OPTIONS & UPGRADES

For Pricing, visit the “Help” page at [www.laurelmountainwhirlpools.com](http://www.laurelmountainwhirlpools.com). Download the Price book. For pictures and descriptions of options, go to [www.laurelmountainwhirlpools.com](http://www.laurelmountainwhirlpools.com) and click “options” tab found at the bottom of the website.

### Therapeutic

LM305 12.5 Amp Water Heater (120V)

LM522 Chromatherapy

### Accessories

#### CABLE OPERATED DRAINS

LM200 Chrome

LM201 Brushed Nickel

LM202 Bronze

LM210 White

LM211 Biscuit

## INSTALLATION

Install this unit according to the Owner’s Manual. The Owner’s manual can be found by visiting the “Help” page at [www.laurelmountainwhirlpools.com](http://www.laurelmountainwhirlpools.com). Select “Installation” on the right side of the page. Then click on the “Colony Owner’s Manual”.