



Vansant 1

60" x 42" Drop-In Acrylic Air Bath

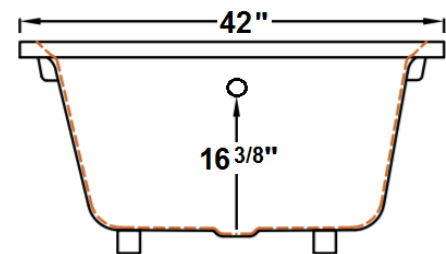
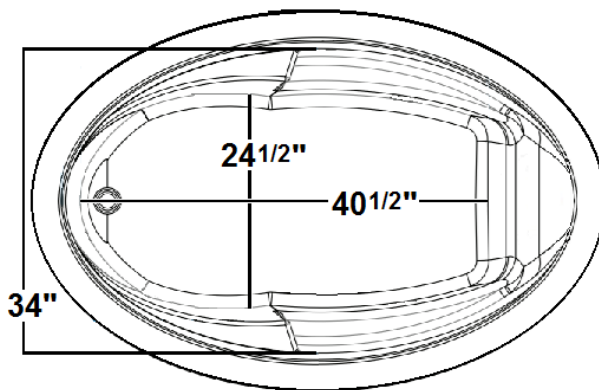
Model Number
6042VTA064
Drop-In Air Bath in White

Features

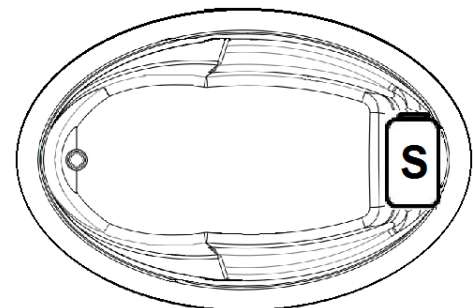
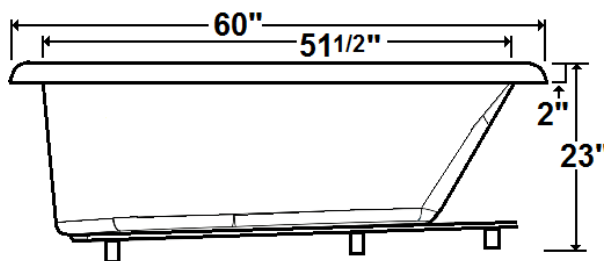
- 20 high output lateral air jets
- 10.5 Amp blower / heater
- Variable speed blower with automatic purge
- Includes Wave & Pulse modes
- Constructed of high-gloss durable acrylic
- Deep bathing well with textured slip resistant bottom
- Limited lifetime warranty
- Made in the USA



All dimensions are +/- 1/2" and subject to change without notice
Confirm specifications before installation



Standard (S) Pump Location



Technical Information

- Weight: 114 lbs.
- Water Depth to Overflow: 16 3/8"
- Operating Capacity: NA
- Water Capacity: 57 gal.
- Sump Dimension: 40 1/2" x 24 1/2"

Electrical Requirements.

- Standard Blower: 12 Amps
- (Optional) LM305 Heater: 12.5 Amps (120V)
- Dedicated GFCI's required for each options

Vansant 1

6042VTA064
Drop-In Air Bath in White

Air Bath

Thousands of warm air bubbles provide an invigorating and yet relaxing, light, full body massage. The warm air movement increases blood circulation, soothes muscles and produces a feeling of well-being.

Laurel Mountain enables you to enhance your bathing experience by offering a broad range of options to customize your bath. The options available on this bath are shown below.

AVAILABLE OPTIONS & UPGRADES

For Pricing, visit the “Help” page at www.laurelmountainwhirlpools.com. Download the Price book. For pictures and descriptions of options, go to www.laurelmountainwhirlpools.com and click “options” tab found at the bottom of the website.

Therapeutic

LM305 12.5 Amp Water Heater (120V)

LM522 Chromatherapy

Accessories

CABLE OPERATED DRAINS

LM200 Chrome

LM201 Brushed Nickel

LM202 Bronze

LM210 White

LM211 Biscuit

INSTALLATION

Install this unit according to the Owner’s Manual. The Owner’s manual can be found by visiting the “Help” page at www.laurelmountainwhirlpools.com. Select “Installation” on the right side of the page. Then click on the “Colony Owner’s Manual”.