

# LAUREL MOUNTAIN WHIRLPOOLS

## WARREN

WARREN	WHIRLPOOL	3672WW
WARREN	AIR BATH	3672WA
WARREN	COMBO BATH	3672WWA
WARREN	TUB ONLY	3672WT

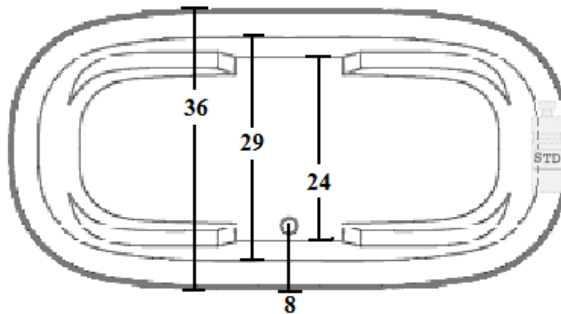
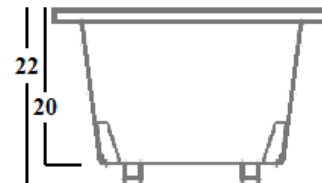
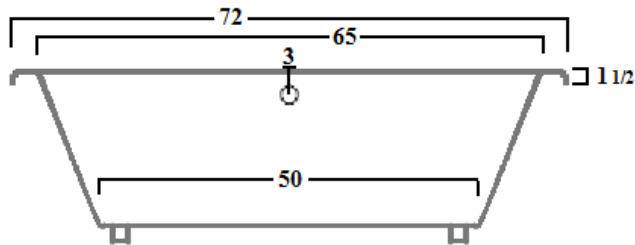
SPECIFICATIONS	Whirlpool / Air Combo	Soaker
72" x 36" x 22"		
Water Capacity - To Overflow.....	85 gallons	85 gallons
- To Operating Level. 62 gallons		
Approx. Unit Weight.....	140 lb	95 lb
Approx. Shipping Weight.....	165 lb	115 lb
Water Depth to Overflow.....	15 7/8"	

INSTALLATION NOTES: Install this acrylic fixture according to the installation manual. Confirm specifications before starting installation.

ELECTRICAL REQUIREMENTS:  
Whirlpool pump/motor 120V, 20A, 60HZ  
Air Blower/Heater 120V, 20A, 60HZ  
Dedicated GFCI required.

Undermount - Yes

\*All dimensions are +/- 1/2"



Website: [www.laurelmountainwhirlpools.com](http://www.laurelmountainwhirlpools.com)  
Email: [sales@laurelmountainwhirlpools.com](mailto:sales@laurelmountainwhirlpools.com)  
Phone: 800-930-0050

Sales/Customer Service  
26 Nesbitt Rd. Suite 257  
New Castle, PA 16105