



AVERLY I & II

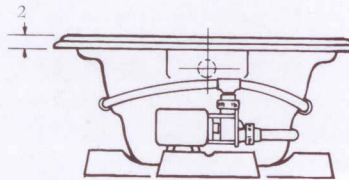
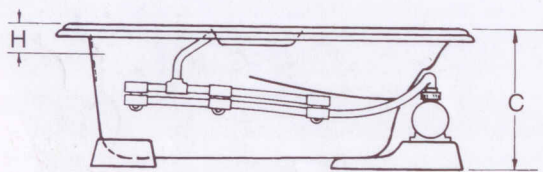
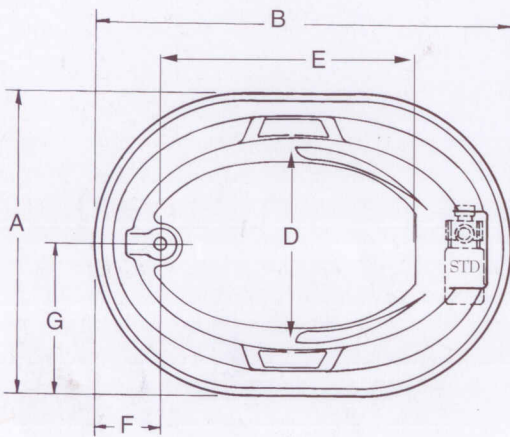
I MODEL: #4260-WW
 ACRYLIC BATH ONLY: #4260-WT

II MODEL: #4272-WW
 ACRYLIC BATH ONLY: #4272-WT

The acrylic whirlpool bath models shown on this page are manufactured by Laurel Mountain Whirlpools, Inc. The models shall be constructed of .125 thick cast acrylic sheet, backed by layers of polyester resin and fiberglass roving. It will be mounted on a FRP pre-leveled base. All components will be UL listed and approved. The pump motor will be 2 horsepower (1 phase, 115V, 60HZ, 3450 RPM, pre-mounted) and the plumbing system will be rigid PVC. The unit will contain 6 multi-directional, adjustable jets, dual air controls and a safety suction fitting. Access to pump and plumbing system must be provided by installer in accordance with established plumbing and electrical codes.

ELECTRICAL SPECIFICATIONS - 115V, 20 AMP, GFCI Protected Dedicated Circuit required for either Standard Air Switch or optional Solo Touch Electronic System. Additional identical circuit required with optional installed heater.

*All dimensions are +/- 3/8" and subject to change without notice. Always pre-measure tub/whirlpool prior to framing alcove or creating deck installation cut out.



MODEL #	A	B	C	D	E	F	G	H
4260-WW / 4260-WT	45 ⁵ / ₈	63 ¹ / ₂	21 ¹ / ₂	27	36	10 ¹ / ₂	22 ³ / ₄	5 ¹ / ₂
4272-WW / 4272-WT	45 ⁵ / ₈	75	21 ¹ / ₂	28	50	13	22 ³ / ₄	5 ¹ / ₂

MODEL #	WATER CAPACITY OPERATING LEVEL	WATER CAPACITY TO OVERFLOW	APPROX. UNIT WT.	APPROX. SHIPPING WT.
4260-WW	38 gal.	56 gal.	135 lbs.	190 lbs.
4260-WT	-	56 gal.	100 lbs.	155 lbs.
4272-WW	59 gal.	75 gal.	147 lbs.	212 lbs.
4272-WT	-	75 gal.	112 lbs.	177 lbs.

CORPORATE SALES AND MANUFACTURING HEADQUARTERS



LAUREL MOUNTAIN
 WHIRLPOOLS, INC.

P.O. Box 190
 1210 Airbrake Ave.
 Turtle Creek, PA
 15145-0190

TELEPHONE
 412-829-2540
 800-930-0050
 E-MAIL: sales@laurel
 mountainwhirlpools.com

FAX
 412-829-1670
 800-930-0051
 WEB SITE:
<http://www.laurelmountainwhirlpools.com>