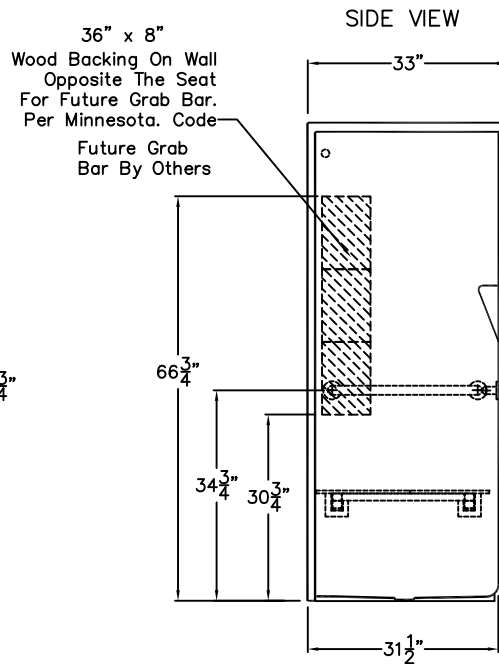
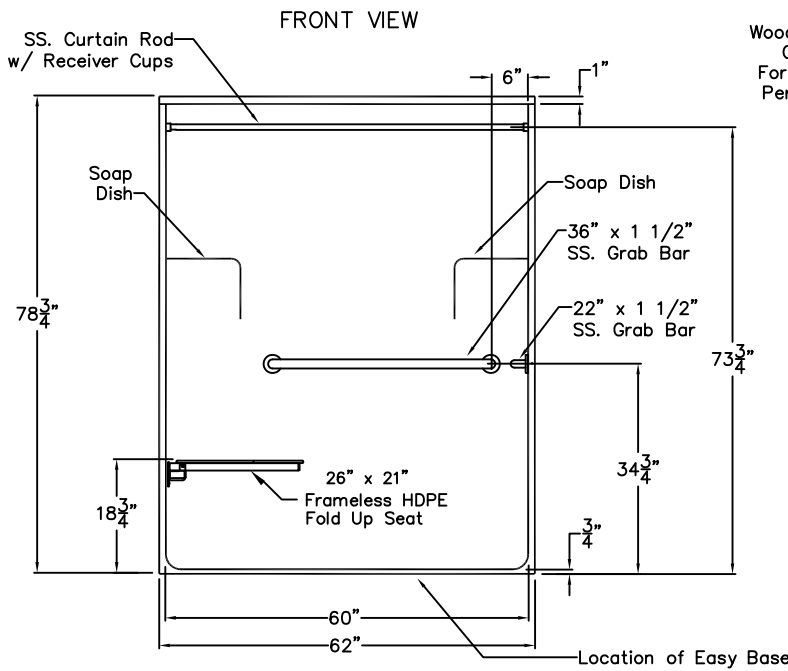


SUBMITTAL DATA



Roll-In Shower Stall

The shower enclosure shall be Laurel Mountain Model LM 6233 BF center, right or left. Finished surface shall be of a sanitary-grade applied acrylic.

The unit shall have outside dimensions of 62" x 33" x 78 3/4". The sump in such a manner to form an integral part with an inner and outer coating of reinforced acrylic. The unit shall meet ANSI A117.1, CSA B45.5-11, ADA, HUD, BOCA, and Home Innovation Research Lab.

The enclosure shall be equipped with the following installed accessories:

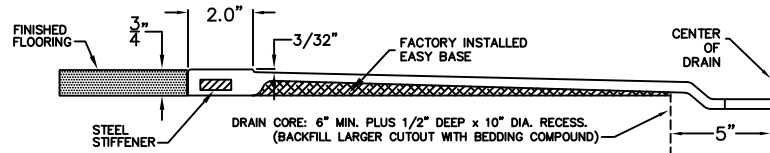
- 1) One 36" x 1 1/2" diameter, stainless steel grab bar horizontal on the back wall,
- 2) One 22" x 1 1/2" diameter, stainless steel grab bar horizontal on the side wall both 1 1/2" statute clearance, secured from the rear with stainless steel bolts, and 3" x 3" x 11 gauge metal mounting plates.
- 3) Factory installed 26" x 21" frameless HDPE fold up seat,
- 4) One inch diameter, 18 gauge stainless steel curtain rod with receiver cups,
- 6) Molded corner soap dishes,
- 7) Factory installed Easy Base self sustaining bottom,
- 8) Wood backing on side wall opposite the seat for future vertical grab bar, (Bar by others),
- 9) Tri-Cell backing,
- 10) 3/4" Threshold.

NOTE: ROOM FLOOR MUST BE BUILT UP TO BE EVEN WITH TOP OF SHOWER THRESHOLD FOR A NON RECESS INSTALLATION OF THIS UNIT. (CODE COMPLIANCE. SEE BELOW)

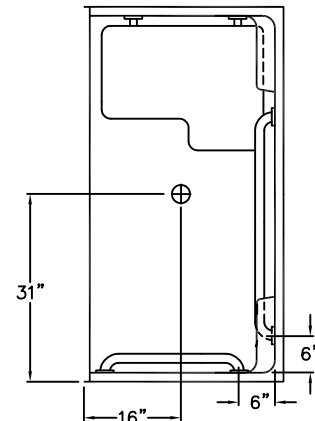
THIS UNIT FEATURES THE OUTSIDE DIMENSIONS OF 62" OF OVERALL WIDTH. THIS DOES NOT ALLOW FOR FULL ENCLOSURE OF THE BOLTS THAT ARE USED TO SECURE THE BARS AND SEAT IN PLACE. THE BOLT AND NUT COMBINATION SHOULD NOT PROTRUDE ANY MORE THAN 3/4" ON EITHER SIDE OF THE SHOWER WALLS. THIS MAY REQUIRE THE NEED TO NOTCH STUDS TO ALLOW BOLT CLEARANCE FOR INSTALLATION.

FOR A DRY WALL ENCLOSED FIRE WALL INSTALLATION, ADJUSTMENT OF THE WALLBOARD MAY BE NECESSARY TO PROVIDE CLEARANCE OF THE BOLT (S) WHILE MAINTAINING THE INTEGRITY OF THE DRYWALL ENCLOSED FIRE WALL ENCLOSURE.

NOTE: THIS UNIT WILL NOT ACCEPT A DOOR!



TOP VIEW



DUE TO THE NATURE OF THE MATERIALS DIMENSIONS MAY VARY ± 1/2"

LAUREL MOUNTAIN

Drawing#: LM 6233 BF .75 HBW HSW BVB FHDP CR Easy Base

Date: 10-8-08

Revised: 12-16-16

Quote No:

Whitwell

LAUREL MOUNTAIN

26 Nesbitt Road, Suite 257, New Castle Pa. 16105

1 (800) 930 0050 - FAX 1-(800) 930 0051, EMAIL: sales@lmbath.com